



FDB 200301-E

English	3
Čeština	23
Slovenčina	43
Magyarul	63
Polski	83

Multi Function Tool

INSTRUCTION MANUAL

Thank you for your purchase of the multi function tool. For your personal safety, read and understand the Instruction Manual before using. Keep the Instruction Manual in a safe place for future reference.

CONTENTS

1. GENERAL SAFETY INSTRUCTIONS	4
2. SYMBOLS	9
3. GENERALDESCRIPTION	10
4. ACCESSORIES	10
5. ASSEMBLING AND OPERATING	11
6. MAINENANCE	20
7. TECHNICAL SPECIFICATIONS	21
8. DISPOSAL	22

1. GENERAL SAFETY INSTRUCTIONS

⚠ WARNING! Carefully read the instruction manual before use.

Important safety warnings

- ✿ Unpack the product carefully and be sure not to throw away any part of the package before having found all components of the product.
- ✿ Keep the product in a dry place out of reach of children.
- ✿ Read all cautions and instructions. The failure to adhere to warning cautions and instructions may result in an accident, fire and/or a serious injury.

Packaging

The product is placed in a package preventing damage during transport. This package is a raw material therefore it can be handed-over for recycling.

Instructions for use

Before beginning to work with the machine, read the following safety rules and instructions for use. Familiarize with operating elements and the proper use of the device. Keep the manual in a safe place for future reference. We recommend keeping the original package including the inner packaging materials, cash voucher and guarantee card for a period of warranty at minimum. For a case of transportation, pack the machine into the original box from the manufacturer, thus ensuring a maximum protection of the product during a possible transport (e.g. moving or sending into a service station)..



Note: If you hand the machine over to next persons, hand it over together with the manual. Adherence to the attached instructions for use is a precondition for the proper use of the machine. The operation manual includes also instructions for operation, maintenance and repairs.

The manufacturer does not take any responsibility for accidents or damages resulting from the failure to adhere to this manual.

Carefully read, remember and keep these safety instructions

⚠ WARNING! In the use of electric machines and power tools, it is necessary to respect and follow the following safety instructions for the reasons of protection against electric shock, personal injury and danger of fire. The term “power tool” in the instructions below refers both to mains-operated (corded) power tool or battery-operated (cordless) power tool. Save all warnings and instructions for future reference.

Workplace

- ✿ Keep the work area clean and well lit. Cluttered or dark areas in the workplace invite accidents. Store power tools that you don't currently use.
- ✿ Do not operate power tools in environments with danger of occurrence of a fire or explosion, such as in the presence of flammable liquids, gases, or dust. Power tools create sparks which may ignite the dust or fumes.
- ✿ Keep unauthorised persons, especially children, away from the work area while operating a power tool! Distractions can cause you to lose control over the performed activity. In no event leave your power tool unattended. Keep the equipment away from animals.

Electrical Safety

- ✿ Power tool plugs must match the mains socket outlet. Never modify the plug in any way. Do not use any adapter plugs with earthed (grounded) power tools. Undamaged plugs and matching outlets will reduce risk of electric shock. Damaged or fouled supply cables increase the risk of electric shock. If the power cord is damaged, it must be replaced by a new power cord which is available at the authorised service centre or the importer.
- ✿ Avoid body contact with earthed or grounded surfaces such as pipes, radiators, cooking ranges and refrigerators. There is an increased risk of electric shock if your body is earthed or grounded.
- ✿ Do not expose power tools to rain or wet conditions. Never touch the power tool with wet hands. Never wash the power tool under running water or immerse it in water.
- ✿ Never use the supply cable for other than intended purposes. Never use the cord for carrying or pulling the power tool. Never unplug the plug from the outlet by pulling the cable. Keep electric cables away from sharp or hot objects to prevent mechanical damage.
- ✿ The power tool was designed to be powered solely by alternating electric current. Always check if the electric voltage matches the information specified in the type label of the power tool.
- ✿ Never use power tool with damaged electric cable or plug or which has been dropped or is in any way damaged.

- ✿ If an extension cord is used, always check whether its technical parameters match the information specified in the type label of the power tool. When operating a power tool outdoors, use an extension cord suitable for outdoor use. If extension drums are used, these must be rolled out to prevent overheating of the cord.
- ✿ If a power tool is operated in a damp location or outdoors, its operation is only permitted if connected to an electric circuit protected by a residual current device <30 mA. Use of residual current device (RCD) reduces the risk of electric shock.
- ✿ Hold the power tool by insulated gripping surfaces only as the cutting or drilling tool may contact hidden wiring or its own power cord during operation.

Personal Safety

- ✿ Be careful, stay alert and watch what you are doing when operating a power tool. Concentrate on your work. Do not use a power tool while you are tired or under the influence of drugs, alcohol or medication. A moment of inattention while operating power tools may result in serious personal injury. Do not eat, drink and smoke while operating a power tool.
- ✿ Use personal protective equipment. Always wear eye protection. Use protective equipment corresponding to the type of work you are doing. Protective equipment such as dust mask, non-skid safety shoes, hard hat, or hearing protection used in accordance with the working conditions will reduce the risk of personal injury.
- ✿ Prevent unintentional starting. Do not carry the power tool while it is energised or with your finger on the switch or trigger. Ensure the switch or trigger is in the "off" position before connecting to power source. Carrying power tools with your finger on the switch or energising power tools that have the switch on may result in serious injuries.
- ✿ Remove any adjusting key or wrench before turning the power tool on. An adjusting wrench or a key left attached to a rotating part of the power tool may result in personal injury.
- ✿ Keep proper footing and balance at all times. Do not overreach. Never overestimate your own capabilities. Never use power tools while you are tired.
- ✿ Dress properly. Wear work clothes. Do not wear loose clothing or jewellery. Keep your hair, clothing, gloves and other part of your body away from moving or hot parts of the power tool.
- ✿ Connect the equipment to dust exhaustion. If the tools are provided for the connection of dust collection or exhaustion devices, ensure these are properly connected and used. Use of such devices can reduce dust-related hazards.
- ✿ Fix the work-piece tightly. Use a cabinet clamp or a cramp to fix the work-piece you are about to machine.
- ✿ Never use power tools if you are under the influence of alcohol, drugs, medication or other narcotic or addictive substances.
- ✿ This equipment is not intended for use by persons (including children) with limited physical, sensual or mental capacities or lack of experience or knowledge unless they are supervised or instructed about the use of the equipment by a person responsible for their safety. Children must be supervised to make sure they are not playing with the equipment.



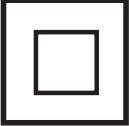





Power Tool Use and Maintenance

- ✿ Always disconnect the power tool from the mains in case of any problem during the work, before cleaning the power tool or its maintenance, during each transportation and after the completion of the work! Never operate a power tool if it is damaged in any way.
- ✿ Immediately stop working if the power tool generates abnormal noise or smell.
- ✿ Do not overload the power tool. The power tool will operate better and safer if it is used at the rate for which it was designed. Use correct power tool which is intended for the given activity. The correct power tool will do the job it was designed for better and safer.
- ✿ Do not use the power tool if it cannot be safely turned on and off using the control switch. Use of such power tool is dangerous. Defective switches must be repaired by a certified service provider.
- ✿ Disconnect the tool from the power source before making any adjustments, changing accessories or maintenance. Such preventive safety measure prevents the risk of starting the power tool accidentally.
- ✿ Store idle power tools out of the reach of children and unauthorised persons. Power tools can be dangerous in the hands of untrained users. Store the power tools in a dry and safe place.
- ✿ Keep the power tool in good condition. Check the adjustment of moving parts and their mobility. Check for any damage to the protective guards or other parts which could affect safe operation of the power tool. If damaged, have the power tool properly repaired before further use. Many accidents are caused by poorly maintained power tools.
- ✿ Keep cutting tools sharp and clean. Properly maintained cutting tools with sharp cutting edges facilitate work, reduce the risk of injury and are easier to control. Use of accessories other than those specified in the instructions for use could result in damage to the power tool and cause injuries.
- ✿ Use the power tool, accessories and tool bits etc. in accordance with these instructions and in the manner intended for the particular type of power tool taking into account the working conditions and the work to be performed. Use of the power tool for purposes other than those the power tool was intended for could result in hazardous situations.

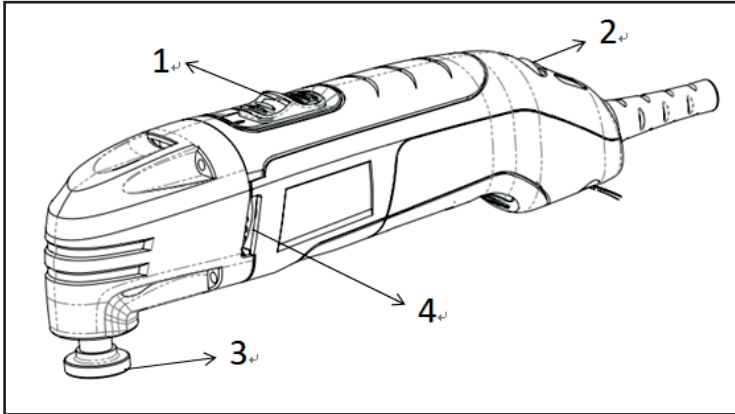
Service

- * Do not replace parts of the power tool, do not make any repairs or interfere in any way with the construction of the power tool. Have your power tool repaired by qualified repair persons.
- * Any repair or modification of the product without our company's authorisation is impermissible (it could cause injury or damage to the user).
- * Always have your power tool repaired in a certified service centre. Use only original or recommended replacement parts. This will ensure that your safety and the safety of your power tool is maintained.

2. SYMBOLS

	The product complies with the applicable standards and regulations.
	Read the Instruction Manual attentively prior to use.
	Double-insulated.
	Use eyes protective equipment
	Use ears protective equipment
	Wear a breathing mask.
	Subjected to recycling
	

3. GENERAL DESCRIPTION



1. ON/OFF Switch
2. Speed Control Wheel
3. Accessory Holder
4. Air Vents

4. ACCESSORIES

AVAILABLE ACCESSORIES

⚠ WARNING: Use only accessories that are recommended for this multi-tool. Follow the instructions that accompany the accessories. The use of improper accessories may result in injury to the operator or damage to the tool.

Before using any accessory carefully read the instructions or the owner's manual for the accessory.

- ✿ Saw Blades
- ✿ Scraper Blades
- ✿ Sandpaper

⚠ WARNING: If any part is missing or damaged, do not plug the tool into the power source or install any accessory until the missing or damaged part is replaced.

DELIVERED ITEMS

✿ Multi-tool	1 PCS
✿ Scrapers	1 PCS
✿ Cut blade	1 PCS
✿ Sand Paper Holder	1 PCS
✿ Sandpapers	3 PCS
✿ Hex Key	1 PCS

5. ASSEMBLING AND OPERATING

5.1 INSTALLING ACCESSORIES

All accessories are installed on the multi-tool in a similar manner. For the purposes of describing the accessory installation, the half circle blade is used.

⚠ DANGER! Always remove the plug from the power source before installing or removing accessories or sandpaper. Failing to remove the plug from the power source may result in the tool accidentally being started and causing serious injury to the operator.

1. Remove the screw (1) and washer (2) from the accessory holder (3) by turning the screw counter clockwise. Use the 5mm Hex key (4) if the screw is too tight to be removed by hand (Fig. 1)

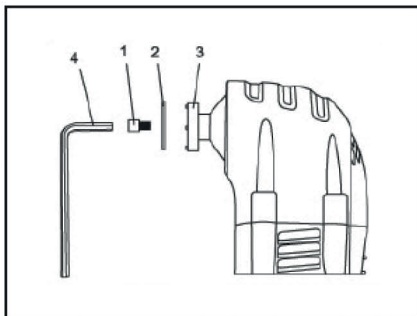


Fig. 1

- Place the blade (5) on the accessory holder (Fig. 2)

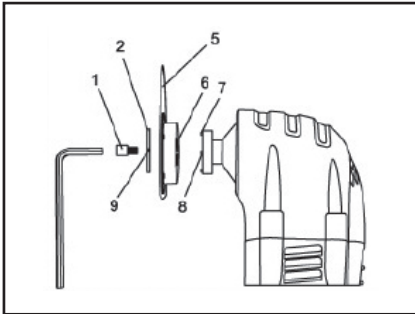




Fig. 2

NOTES:

- ✿ Make sure the alignment holes (6) in the blade fit over the alignment pins (7) in the accessory holder and the printed side of the blade is facing the tool.
 - ✿ The blade can be mounted at various angles left or right of center if required.
- Thread the screw (1) through the washer (2) and the blade into the accessory holder threaded hole (8)
 - Turn the screw clockwise until it is finger tight.

 **NOTES:** Check to make sure the convex curve of the washer (9) is facing the head of the screw. Make sure the alignment holes in the blade are still mated with the alignment pins in the accessory holder.

- Firmly tighten the screw with the 5mm hex key.

 **NOTE:** Check to make sure the holes in the blade are still mated with the alignment pins of the accessory holder after the screw is fully tightened.

5.2 INSTALLING SANDPAPER

1. Install the hook & loop sanding pad (1) onto the tool (Fig. 3)
2. Firmly press the sandpaper (2) onto the hook & loop pad.

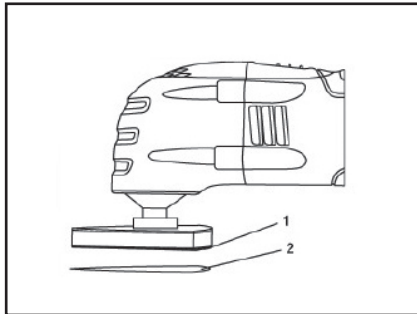


Fig. 3

NOTE:

- ✿ Place the sandpaper so the holes in the sandpaper line up with the matching holes in the hook & loop pad
 - ✿ Press the sandpaper firmly onto the hook & loop pad.
3. To remove the sandpaper, simply peel the sandpaper way from the hook & loop pad (Fig.4).

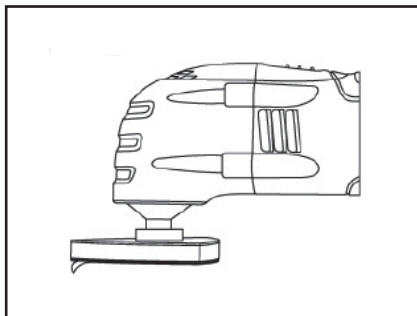


Fig. 4

5.3 ON/OFF SWITCH

- ✿ To turn the tool ON, slide the ON/OFF switch (1) toward the front of the tool (Fig. 5).
- ✿ To turn the tool OFF, slide the ON/OFF switch toward the rear of the tool.

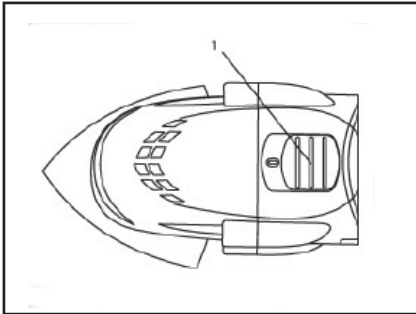


Fig. 5

5.4 SPEED CONTROL WHEEL

The speed of the tool can be adjusted to run the tool at speeds varying between 10000 – 18000 RPM by rotating the speed control wheel (1) located towards the rear of the tool housing (Fig. 6)

- ✿ To increase the speed, rotate the speed control wheel toward the left side of the tool.
- ✿ To decrease the speed, rotate the speed control wheel toward the right side of the tool.

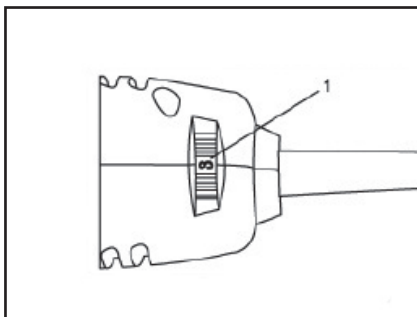


Fig. 6

POZNÁMKA: Speed #1 is the lowest speed. MAX is the highest speed. The optimal speed setting will vary depending upon the type of accessory being used, the surface being worked and the complexity of the project. For general recommendations, see the chart on the following page.

PROJECT:	ACCESSORY:	SPEED:
Drywall	Half circle blade	Maximum
Restoring windows	Half circle blade	Medium
Door Jamb	Wood blade	Maximum
Door casing	Wood blade	Medium / Maximum
Wood dowels	Wood blade	Maximum
Floor vent	Wood blade	Medium / Maximum
PVC pipe	Wood blade	Medium
Glued flooring	Scraper	Medium
Sanding	Scraper	Medium / Maximum

⚠ WARNING : For safety reasons the operator must read the sections of this instruction manual entitled **GENERAL SAFETY INSTRUCTION, SPECIFIC SAFETY RULES and SYMBOLS** before using this multi-tool.

Verify the following every time the multi-tool is used:

- ✿ Safety glasses, safety goggles, or face shield are being worn.
- ✿ Hearing protection is being worn.
- ✿ The blade or sandpaper is in good condition.
- ✿ The accessory is properly tightened onto the accessory holder of the tool.

Failure to observe these safety rules will significantly increase the risk of injury.

5.4 FLUSH CUTTING A DOOR JAMB AND CASING FOR INSTALLING FLOORING

The multi-tool can be used to flush cut a door jamb and casing to allow space for the new flooring to fit nearly under the door jamb and casing. For the purpose of demonstrating the procedure, floor tile is being used.

1. Install the plunge cutting wood saw blade for wood in the tool (Fig. 2).

📖 NOTE: The blade should be centered on the tool housing and NOT installed in the 90° position.

2. Place a scrap piece of floor tile (1) on the floor about 1/2" (25mm) from the door jamb (2) (Fig. 7).

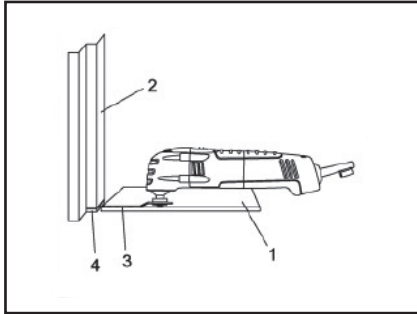


Fig. 7

NOTE: Make sure the “good” side of the tile is facing upward to provide a smooth surface for the blade to follow.

3. Place the tool with the saw blade (3) lightly touching the surface of the tile and the cutting teeth NOT touching the surface to be cut.
4. Set the speed to the fastest speed and turn to tool ON (Fig. 5 & 6)
5. When the tool reach its maximum set speed, carefully plunge the blade into the door jamb while sliding the blade along the floor tile..

NOTE: Hold the tool tightly and do not put too much forward pressure on the saw blade when cutting, as this will cause the tool to vibrate excessively.

6. Continue to make several plunge cuts until the bottom of the door jamb and casing are completely cut off and the loos pieces can be easily removed

Follow the same basic procedure for installing carpet, using a thicker spacer that is the same thickness of the carpet being installed.

5.5 CUTTING A HOLE IN WOOD FLOORING TO INSTALL A HEATING VENT

The multi-tool can be used to cut a hole in wood flooring for installing a heating vent.

1. Install the plunge cutting saw blade for wood in the tool (Fig. 2)

NOTE: The blade should be centered on the tool housing and NOT installed in the 90° position.

2. Place the floor vent on the floor and use a soft lead pencil to trace the required rectangular hole (1) on the flooring (Fig. 8).

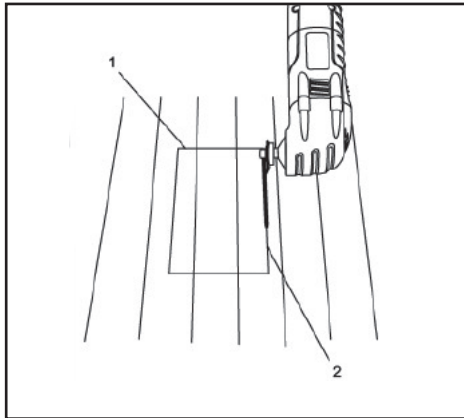




Fig. 8

3. Place the saw blade (2) near the floor surface in the middle of one of the cutting lines.
4. Set the tool speed at a medium speed and turn the tool ON (Fig. 5 & 6)

 **NOTE:** The tool and blade should be at a 45° angle to the floor to allow the corner of the blade to plunge cut into the flooring.

5. While holding the tool tightly, slowly plunge the corner of the blade into the flooring until it cuts through the flooring. Once the plunge cut is complete, set the tool to its highest speed and complete the cut to the corner of the rectangle.
6. Turn the saw OFF, remove it from the cut and proceed to cut in the opposite direction to complete the cut for the first side of the rectangle.
7. Repeat steps #4, #5, #6 to cut the remaining three sides of the rectangle.
8. When all cuts are complete, use a flat blade screw driver to carefully pry the cut-out from the floor.

 **NOTE:** Do **NOT** use the saw blade to pry the cut-out from the floor. You will break the blade. If the cut-out is not easy to pry from the floor, check to make sure each line is cut completely into the corner of the rectangle.

5.6 CUTTING A HOLE IN DRYWALL FOR INSTALLING AN ELECTRICAL OUTLET BOX

The multi-tool can be used to cut a hole in drywall for installing an electrical outlet box.

1. Install the half circle saw blade for wood & drywall in the tool (Fig.2)

 **NOTE:** The blade should be centered on the tool housing and not installed in the 90° position

2. Place the outlet box on the drywall and use a soft lead pencil to trace the required rectangular hole (1) on the drywall (Fig.9)

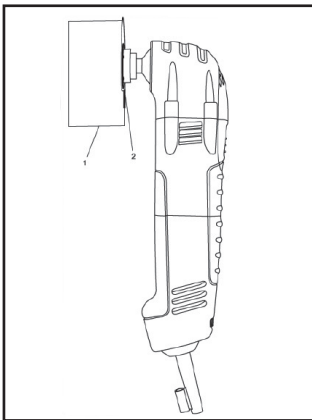



Fig. 9

3. Place the corner edge of the saw blade (2) near the drywall in the middle of one of the cutting lines.
4. Set the speed to the highest speed and turn the tool ON (Fig. 5 & 6)
5. When the tool reaches its maximum speed, carefully plunge the blade into the drywall until it cuts through the drywall. Complete the cut to the corner of the rectangle.

 **NOTE:** Hold the tool tightly and do not push too much pressure on the saw blade when cutting.

6. Turn the saw OFF, remove it from the cut and proceed to cut in the opposite direction to complete the cut for the first side of the rectangle.
7. Repeat steps 4, 5 & 6 to cut the remaining three sides of the rectangle.
8. When all cuts are complete, use a flat blade screw driver to carefully pry the cut-out from the drywall.

 **NOTE:** Do not use the saw blade to pry the cut-out from the drywall. You will break the blade. If the cut-out is not easy to pry from the drywall, check to make sure each line is cut completely into the corner of the rectangle.

5.7 USING THE DETAIL SANDER ATTACHMENT

1. Install the sanding pad on the multi-tool as outlined in Fig. 2
2. Install the sandpaper on the sanding pad as outlined in Fig. 3
3. Set the speed control wheel between 4 and MAX as outlined in Fig. 6
4. Turn the switch ON as outlined in Fig. 5

This tool is designed for detail sanding on small surface areas. Place the sandpaper surface of the sanding pad on the work piece to be sanded. Keep the tool moving to avoid gouging the surface. Use coarse sandpaper and lower speeds when sanding rough surfaces and for removing previous finishes. Use fine sandpaper and higher speeds to produce the smoothest surface.

5.8 USING THE SCRAPER BLADE

1. Install the scraper blade on the multi-tool as outlined in Fig. 2, Fig. 1 & 2.
2. Set the speed control wheel to #4 and turn the switch ON as outlined in Fig. 5 & 6.

When using the scraper blade to scrape old finishes or glue from a work piece, place the under the side of the blade flat on the work piece surface and then lift upward on the rear of the tool to allow the blade to form a very slight angle with the work piece surface. Feed the blade slowly into the material that is to be removed. Do not force the tool as slower travel speeds will produce better cutting action and reduce the risk of gouging the work piece.

When using the scraper blade to cut carpet, place a scrap work piece under the carpet where the cut is being made. Set the speed to MAX, turn the tool so the scraper blade is at right angles (perpendicular) to the carpet and the feed the blade into the carpet

6. MAINTENANCE

GENERAL

⚠ WARNING: When servicing, use only identical replacement parts. The use of any other part may create a hazard or cause product damage

Do not use solvents when cleaning plastic parts. Plastics are susceptible to damage from various types of commercial solvents and may be damaged by their use. Use a clean cloth to remove dirt, dust, oil, grease etc.

⚠ WARNING: Do not allow brake fluids, gasoline, petroleum-based products, penetration oils, etc. to come into contact with plastic parts. They contain chemicals that can damage, weaken or destroy plastic.

Do not abuse power tools. Abusive practices can damage the tool and the work piece

⚠ WARNING: Do not attempt to modify tools or create accessories. Any such alteration or modification is misuse and could result in a hazardous condition leading to possible serious injury. It will also void the warranty

LUBRICATION

All of the bearings in this tool are lubricated with a sufficient amount of high-grade lubricant for the life of the unit under normal conditions. Therefore, no further lubrication is required.

7. TECHNICAL SPECIFICATIONS

MULTI FUNCTION TOOL :	
Power supply:	230V/50Hz
Power input:	300W
Speed	15000 - 22000/min
Protection class:	II
Power supply cable length	1.8m
Declared noise level	100.2dB(A)
Vibration:	ah.=4.464ms ⁻² , K=1.5ms ⁻²

8. DISPOSAL

INSTRUCTIONS AND INFORMATION ON DISPOSAL OF USED PACKAGING

Put any used package material to the place determined by the municipality for waste disposal.

DISPOSAL OF USED ELECTRIC AND ELECTRONIC EQUIPMEN



This symbol on products or accompanying documents means that used electric or electronic products must not be put to ordinary municipal waste. Hand over such products to determined collection points for proper disposal, restoration and recycling. Alternatively, in some countries of the European Union or other European countries you can return your products to your local dealer when you buy an equivalent new product. By dutiful disposal of this product you can preserve precious natural resources and you help prevent any potential adverse effects on the environment and human health which could be the results of wrong waste disposal. Ask your local authority or the nearest collection point for additional details. In case of improper disposal of this waste kind penalties can be imposed in accordance with national regulations.

FOR COMPANIES IN THE EUROPEAN UNION COUNTRIES

Should you want to dispose of electric and electronic devices, ask your dealer or vendor for necessary information.

DISPOSAL IN OTHER COUNTRIES OUTSIDE THE EUROPEAN UNION



Should you want to dispose of this product, ask your local authorities or your dealer for necessary information about disposal method

This product fulfils all basic requirements of the EU directives that apply to it.

Text, design and technical specifications can change without prior notice and we reserve the right for their change.

Multifunkční nářadí

NÁVOD K OBSLUZE

Děkujeme vám, že jste si zakoupili toto multifunkční nářadí. Než ji začnete používat, přečtěte si, prosím, pozorně tento návod k obsluze a uschovejte jej pro případ dalšího použití.

OBSAH

1. VŠEOBECNÉ BEZPEČNOSTNÍ PŘEDPISY	24
2. SYMBOLY	29
3. OBECNÝ POPIS	30
4. PŘÍSLUŠENSTVÍ	30
5. MONTÁŽ A OBSLUHA	31
6. ÚDRŽBA	40
7. TECHNICKÉ ÚDAJE	41
8. LIKVIDACE	42

1. VŠEOBECNÉ BEZPEČNOSTNÍ PŘEDPISY

⚠ POZOR! Před použitím si pečlivě přečtěte návod k použití.

DŮLEŽITÁ BEZPEČNOSTNÍ UPOZORNĚNÍ

- ✿ Výrobek pečlivě vybalte a dejte pozor, abyste nevyhodili žádnou část obalového materiálu dříve, než najdete všechny součásti výrobku.
- ✿ Výrobek uchovávejte na suchém místě mimo dosah dětí.
- ✿ Čtěte všechna upozornění a pokyny. Zanedbání při dodržování varovných upozornění a pokynů mohou mít za následek úraz elektrickým proudem, požár a/nebo těžká poranění.

OBAL

Výrobek je umístěn v obalu bránícím poškozením při transportu. Tento obal je surovinou a lze jej proto odevzdat k recyklaci.

NÁVOD K POUŽITÍ

Než začnete se strojem pracovat, přečtěte si následující bezpečnostní předpisy a pokyny k používání. Seznamte se s obslužnými prvky a správným používáním zařízení. Návod pečlivě uschovejte pro případ pozdější potřeby. Minimálně po dobu záruky doporučujeme uschovat originální obal včetně vnitřního balicího materiálu, pokladní doklad a záruční list. V případě přepravy zabalte stroj zpět do originální krabice od výrobce, zajistíte si tak maximální ochranu výrobku při případném transportu (např. stěhování nebo odeslání do servisního místa).

📖 POZNÁMKA: Předáváte-li stroj dalším osobám, předejte jej společně s návodem. Dodržování přiloženého návodu k obsluze je předpokladem řádného používání stroje. Návod k obsluze obsahuje rovněž pokyny pro obsluhu, údržbu a opravy.

Výrobce nepřebírá odpovědnost za nehody nebo škody vzniklé následkem nedodržování tohoto návodu.

OBECNÉ BEZPEČNOSTNÍ POKYNY

Tyto bezpečnostní pokyny si pečlivě prostudujte, zapamatujte a uschovejte

⚠ UPOZORNĚNÍ! Při používání elektrických strojů a elektrického nářadí je nutno respektovat a dodržovat následující bezpečnostní pokyny z důvodů ochrany před úrazem elektrickým proudem, zraněním osob a nebezpečím vzniku požáru. Výrazem „elektrické nářadí“ je ve všech níže uvedených pokynech myšleno jak elektrické nářadí napájené ze sítě (napájecím kabelem), tak nářadí napájené z baterií (bez napájecího kabelu). Uschovejte všechna varování a pokyny pro příští použití.

Pracovní prostředí

- ✿ Udržujte pracovní prostor v čistém stavu a dobře osvětlen. Nepořádek a tmavá místa na pracovišti bývají příčinou úrazů. Ukliděte nářadí, které právě nepoužíváte.
- ✿ Nepoužívejte elektrické nářadí v prostředí s nebezpečím vzniku požáru nebo výbuchu, to znamená v místech, kde se vyskytnou hořlavé kapaliny, plyny nebo prach. V elektrickém nářadí vzniká na komutátoru jiskření, které může být příčinou vznícení prachu nebo výparů.
- ✿ Při používání el. nářadí zamezte přístupu nepovolaných osob, zejména dětí, do pracovního prostoru! Budete-li vyrušováni, můžete ztratit kontrolu nad prováděnou činností. V žádném případě nenechávejte el. nářadí bez dohledu. Zabraňte zvířatům přístup k zařízení.

Elektrická bezpečnost

- ✿ Vidlice napájecího kabelu elektrického nářadí musí odpovídat síťové zásuvce. Nikdy jakýmkoliv způsobem neupravujte vidlici. K nářadí, které má na vidlici napájecího kabelu ochranný kolík, nikdy nepoužívejte rozdvojky ani jiné adaptéry. Nepoškozené vidlice a odpovídající zásuvky omezí nebezpečí úrazu elektrickým proudem. Poškozené nebo zamotané napájecí kabely zvyšují nebezpečí úrazu elektrickým proudem. Pokud je síťový kabel poškozen, je nutno jej nahradit novým síťovým kabelem, který je možné získat v autorizovaném servisním středisku nebo u dovozce.
- ✿ Vyvarujte se dotyku těla s uzemněnými předměty, jako např. potrubí, tělesa ústředního topení, sporáky a chladničky. Nebezpečí úrazu elektrickým proudem je větší, je-li vaše tělo spojeno se zemí.
- ✿ Nevystavujte elektrické nářadí dešti, vlhku nebo mokru. Elektrického nářadí se nikdy nedotýkejte mokryma rukama. Elektrické nářadí nikdy neumývejte pod tekoucí vodou ani ho neponořujte do vody.
- ✿ Nepoužívejte napájecí kabel k jinému účelu, než pro jaký je určen. Nikdy nenoste a netahejte elektrické nářadí za napájecí kabel. Nevytahujte vidlici ze zásuvky tahem za kabel. Zabraňte mechanickému poškození elektrických kabelů ostrými nebo horkými předměty.
- ✿ El. nářadí bylo vyrobeno výlučně pro napájení střídavým el. proudem. Vždy zkontrolujte, že elektrické napětí odpovídá údajům uvedenému na typovém štítku nářadí.

- ✿ Nikdy nepracujte s nářadím, které má poškozený el. kabel nebo vidlici, nebo spadlo na zem a je jakýmkoliv způsobem poškozené.
- ✿ V případě použití prodlužovacího kabelu vždy zkontrolujte, že jeho technické parametry odpovídají údajům uvedeným na typovém štítku nářadí. Je-li elektrické nářadí používáno venku, používejte prodlužovací kabel vhodný pro venkovní použití. Při použití prodlužovacích bubnů je nutné je rozvinout, aby nedocházelo k přehřátí kabelu.
- ✿ Je-li elektrické nářadí používáno ve vlhkých prostorech nebo venku, je povoleno jej používat pouze, pokud je zapojeno do el. obvodu s proudovým chráničem ≤ 30 mA. Použití el. obvodu s chráničem /RCD/ snižuje riziko úrazu elektrickým proudem.
- ✿ Ruční el. nářadí držte výhradně za izolované plochy určené k uchopení, protože při provozu může dojít ke kontaktu řezacího či vrtacího příslušenství se skrytým vodičem nebo s napájecí šňůrou nářadí.

Bezpečnost osob

- ✿ Při používání elektrického nářadí buďte pozorní a ostražití, věnujte maximální pozornost činnosti, kterou právě provádíte. Soustředte se na práci. Nepracujte s elektrickým nářadím pokud jste unaveni, nebo jste-li pod vlivem drog, alkoholu nebo léků. I chvilková nepozornost při používání elektrického nářadí může vést k vážnému poranění osob. Při práci s el. nářadím nejezte, nepijte a nekuřte.
- ✿ Používejte ochranné pomůcky. Vždy používejte ochranu zraku. Používejte ochranné prostředky odpovídající druhu práce, kterou provádíte. Ochranné pomůcky jako např. respirátor, bezpečnostní obuv s protiskluzovou úpravou, pokrývka hlavy nebo ochrana sluchu používané v souladu s podmínkami práce snižují riziko poranění osob.
- ✿ Vyvarujte se neúmyslného zapnutí nářadí. Nepřenášejte nářadí, které je připojeno k elektrické síti, s prstem na spínači nebo na spoušti. Před připojením k elektrickému napájení se ujistěte, že spínač nebo spoušť jsou v poloze „vypnuto“. Přenášení nářadí s prstem na spínači nebo zapojování vidlice nářadí do zásuvky se zapnutým spínačem může být příčinou vážných úrazů.
- ✿ Před zapnutím nářadí odstraňte všechny seřizovací klíče a nástroje. Seřizovací klíč nebo nástroj, který zůstane připevněn k otáčející se části elektrického nářadí může být příčinou poranění osob.
- ✿ Vždy udržujte stabilní postoj a rovnováhu. Pracujte jen tam, kam bezpečně dosáhnete. Nikdy nepřeceňujte vlastní sílu. Nepoužívejte elektrické nářadí, jste-li unaveni.
- ✿ Oblékejte se vhodným způsobem. Používejte pracovní oděv. Nenoste volné oděvy ani šperky. Dbejte na to, aby se vaše vlasy, oděv, rukavice nebo jiná část vašeho těla nedostala do přílišné blízkosti rotujících nebo rozpálených částí el.nářadí.
- ✿ Připojte zařízení k odsávání prachu. Jestliže má nářadí možnost připojení zařízení pro zachycování nebo odsávání prachu, zajistěte, aby došlo k jeho řádnému připojení a používání. Použití těchto zařízení může omezit nebezpečí vznikající prachem.
- ✿ Pevně upevněte obrobek. Použijte truhlářskou svěrku nebo svěrák pro upevnění dílu, který budete obrábět.

- ✿ Nepoužívejte elektrické nářadí pokud jste pod vlivem alkoholu, drog, léků nebo jiných omamných či návykových látek.
- ✿ Toto zařízení není určené pro použití osobami (včetně dětí) se sníženými fyzickými, smyslovými nebo mentálními schopnostmi nebo s nedostatkem zkušeností a znalostí, pokud nejsou pod dozorem nebo nedostali pokyny s ohledem na použití zařízení od osoby zodpovědné za jejich bezpečnost. Děti musí být pod dozorem, aby jste se ujistili, že si nehrají se zařízením.

Používání elektrického nářadí a jeho údržba

- ✿ El. nářadí vždy odpojte z el. sítě v případě jakéhokoliv problému při práci, před každým čišťením nebo údržbou, při každém přesunu a po ukončení práce! Nikdy nepracujte s el. nářadím, pokud je jakýmkoliv způsobem poškozené.
- ✿ Pokud začne nářadí vydávat abnormální zvuk nebo zápach, okamžitě ukončete práci.
- ✿ Elektrické nářadí nepřetěžujte. Elektrické nářadí bude pracovat lépe a bezpečněji, pokud jej budete provozovat v otáčkách, pro které bylo navrženo. Používejte správné nářadí, které je určeno pro danou činnost. Správné nářadí bude lépe a bezpečněji vykonávat práci, pro kterou bylo zkonstruováno.
- ✿ Nepoužívejte elektrické nářadí, které nelze bezpečně zapnout a vypnout ovládacím spínačem. Používání takového nářadí je nebezpečné. Vadné spínače musí být opraveny certifikovaným servisem.
- ✿ Odpojte nářadí od zdroje elektrické energie předtím, než začnete provádět jeho seřizování, výměnu příslušenství nebo údržbu. Toto opatření zamezí nebezpečí náhodného spuštění.
- ✿ Nepoužívané elektrické nářadí ukládejte a uschovejte tak, aby bylo mimo dosah dětí a nepovolaných osob. Elektrické nářadí v rukou nezkušených uživatelů může být nebezpečné. Elektrické nářadí skladujte na suchém a bezpečném místě.
- ✿ Udržujte elektrické nářadí v dobrém stavu. Pravidelně kontrolujte seřízení pohyblivých se částí a jejich pohyblivost. Kontrolujte zda nedošlo k poškození ochranných krytů nebo jiných částí, které mohou ohrozit bezpečnou funkci elektrického nářadí. Je-li nářadí poškozeno, před dalším použitím zajistěte jeho řádnou opravu. Mnoho úrazů je způsobeno špatně udržovaným elektrickým nářadím.
- ✿ Řezací nástroje udržujte ostré a čisté. Správně udržované a naostřené nástroje usnadňují práci, omezují nebezpečí zranění a práce s nimi se snáze kontroluje. Použití jiných příslušenství než těch, která jsou uvedena v návodu k obsluze mohou způsobit poškození nářadí a být příčinou zranění.
- ✿ Elektrické nářadí, příslušenství, pracovní nástroje atd. používejte v souladu s těmito pokyny a takovým způsobem, který je předepsán pro konkrétní elektrické nářadí a to s ohledem na dané podmínky práce a druh prováděné práce. Používání nářadí k jiným účelům, než pro jaké je určeno, může vést k nebezpečným situacím.

Servis

- ✿ Nevyměňujte části nářadí, neprovádějte sami opravy, ani jiným způsobem nezasahujte do konstrukce nářadí. Opravy nářadí svěřte kvalifikovaným osobám.
- ✿ Každá oprava nebo úprava výrobku bez oprávnění naší společnosti je nepřípustná (může způsobit úraz, nebo škodu uživateli).
- ✿ Elektrické nářadí vždy nechte opravit v certifikovaném servisním středisku. Používejte pouze originální nebo doporučené náhradní díly. Zajistíte tak bezpečnost Vaši i Vašeho nářadí.

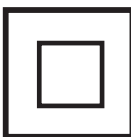
2. SYMBOLY



Tento produkt je vyroben v souladu se schválenými normami.



Před použitím stroje si pozorně přečtěte návod k obsluze.



Dvojitá izolace.



Použijte ochranné pomůcky na oči



Použijte ochranné pomůcky na uši

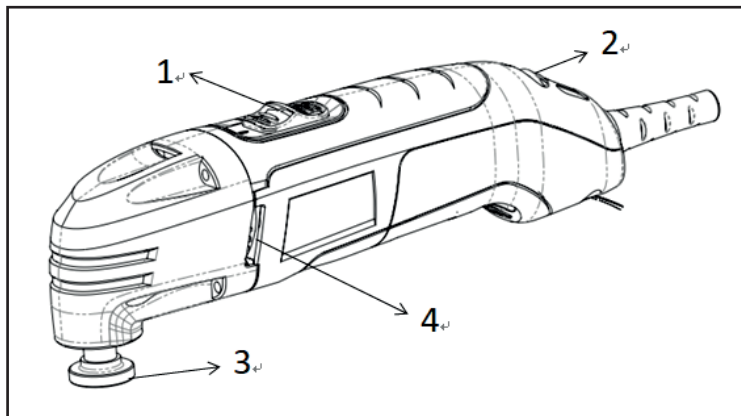


Noste ochrannou prachovou masku



Nevhazujte je do běžného odpadu

3. OBECNÝ POPIS



1. Vypínač
2. Regulátor otáček
3. Držák příslušenství
4. Větrací otvory

4. PŘÍSLUŠENSTVÍ

DISPONIBILNÍ PŘÍSLUŠENSTVÍ

⚠ UPOZORNĚNÍ: Používejte pouze příslušenství doporučené pro toto víceúčelové nářadí. Řiďte se pokyny dodávanými spolu s příslušenstvím. V důsledku používání nevhodného příslušenství může dojít k úrazu obsluhy nebo poškození nářadí.

Před použitím jakéhokoli příslušenství si prosím důkladně přečtěte pokyny nebo návod k použití příslušenství:

- ✿ Pilové listy
- ✿ Škrabáky
- ✿ Smirkový papír

⚠ UPOZORNĚNÍ: Jestliže jakákoli součást chybí nebo je poškozena, nepřipojujte nářadí ke zdroji napájení ani neinstalujte žádné příslušenství, dokud nebude chybějící nebo poškozená část nahrazena.

POLOŽKY V BALENÍ

- ✿ Víceúčelové nářadí 1 ks
- ✿ Škrabáky 1 ks
- ✿ Pilový list 1 ks
- ✿ Držák na smirkový papír 1 ks
- ✿ Smirkové papíry 3 ks
- ✿ Imbusový klíč 1 ks

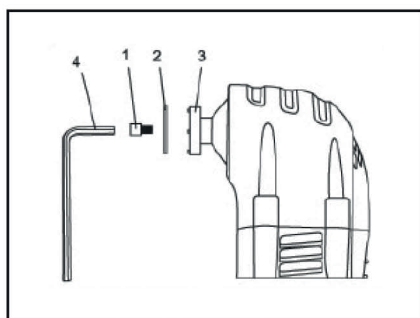
5. MONTÁŽ A OBSLUHA

5.1 INSTALACE PŘÍSLUŠENSTVÍ

Veškeré příslušenství se na víceúčelové nářadí instaluje podobným způsobem. Pro účely nebo popis instalace příslušenství použijeme půlkruhový kotouč.

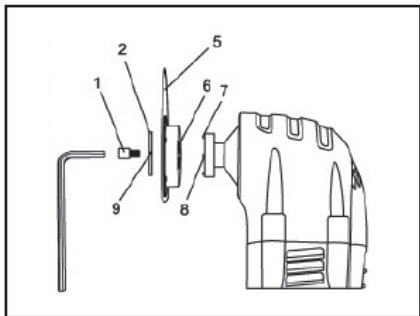
⚠ NEBEZPEČÍ! Před instalací nebo snímáním příslušenství nebo smirkového papíru vždy vytáhněte zástrčku ze zdroje napájení. Jestliže zástrčku nevytáhnete ze zdroje napájení, může dojít k náhodnému spuštění nářadí a vážnému úrazu obsluhy.

1. Sejměte šroub (1) a podložku (2) z držáku příslušenství (3) otáčením šroubu proti směru hodinových ručiček. Použijte 5 mm imbusový klíč (4), je-li šroub příliš utažen, aby jej bylo možno sejmout rukou (obr. 1)



obr. 1


2. Umístěte kotouč (5) na držák příslušenství (obr. 2)



obr. 2

POZNÁMKY:

- ✿ Dbejte, aby lícovací otvory (6) v kotouči dosedly do lícovacích čepů (7) v držáku příslušenství a aby potištěná strana kotouče směřovala čelem k nářadí.
 - ✿ Kotouč lze dle potřeby nasadit pod různými úhly nalevo nebo napravo od středu.
3. Přišroubujte šroub (1) skrz podložku (2) a kotouč do otvoru se závitem (8) držáku příslušenství.
 4. Otáčejte šroubem ve směru hodinových ručiček a dotáhněte jej rukou.

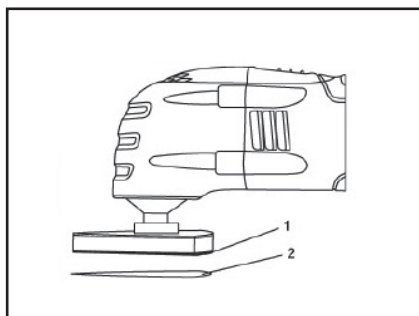
 **POZNÁMKY:** Přesvědčte se, zda vyduťtá zakřivená strana podložky (9) směřuje k hlavě šroubu. Dbejte, aby lícovací otvory neustále dosedly do lícovacích čepů v držáku příslušenství.

5. Pevně dotáhněte šroub pomocí 5 mm imbusového klíče.

 **POZNÁMKA:** Dbejte, aby lícovací otvory neustále dosedly do lícovacích čepů v držáku příslušenství.

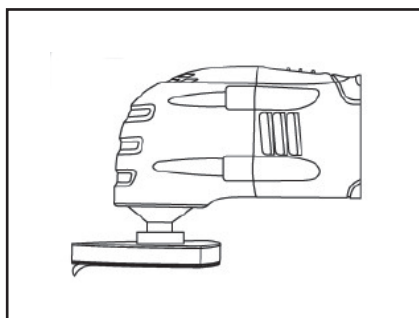
5.2 INSTALACE SMIRKOVÉHO PAPÍRU

1. Nasadíte na nářadí přitlačnou botku (1) se suchým zipem (obr. 3).
2. Na přitlačnou botku se suchým zipem pevně přitlačíte smirkový papír (2)



obr. 3

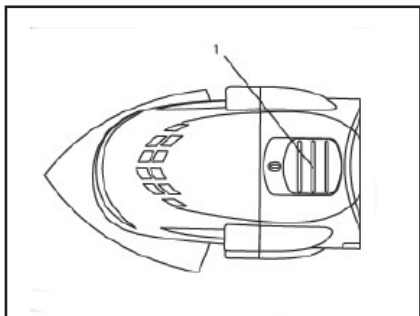
POZNÁMKA: Umístěte smirkový papír tak, aby otvory ve smirkovém papíru lícovaly s příslušnými otvory v přitlačné botce se suchým zipem. Na přitlačnou botku se suchým zipem pevně přitlačte smirkový papír. Chcete-li sejmout smirkový papír, jednoduše jej z přitlačné botky se suchým zipem sloupněte (Obr. 4)



obr. 4

5.3 VYPÍNAČ

- ☼ Chcete-li nářadí zapnout, přesuňte vypínač (1) směrem k přední části nářadí (Obr. 5).
- ☼ Chcete-li nářadí vypnout, přesuňte vypínač směrem k zadní části nářadí (Obr. 5).

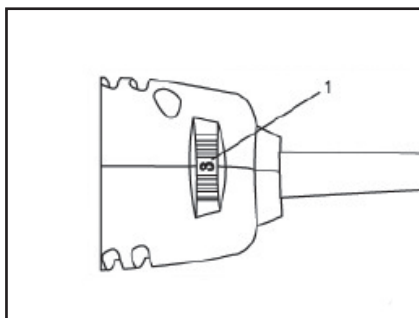


obr. 5

5.4 REGULÁTOR OTÁČEK

Otáčky nářadí lze nastavit tak, aby bylo možno nářadí používat v rozsahu otáček 10000 až 18000 ot/min, a to otáčením regulátoru otáček (1) umístěného v zadní části krytu nářadí (Obr. 6)

- ☼ Chcete-li zvýšit otáčky, otáčejte regulátorem otáček směrem k levé straně nářadí.
- ☼ Chcete-li snížit otáčky, otáčejte regulátorem otáček směrem k pravé straně nářadí.



obr. 6

POZNÁMKA: Otáčky č. 1 jsou nejnižší otáčky. MAX jsou nejvyšší otáčky. Nastavení optimálních otáček je různé podle typu použitého příslušenství, opracovávaného povrchu a složitosti projektu. Všeobecná doporučení jsou uvedena v tabulce na další straně.

PROJEKT:	PŘÍSLUŠENSTVÍ:	OTÁČKY:
Sádrokarton	Půlkruhový kotouč	Maximální
Obnova oken	Půlkruhový kotouč	Střední
Dveřní ostění	Dřevěný kotouč	Maximální
Dveřní zárubeň	Dřevěný kotouč	Střední / Maximální
Dřevěné čepy	Dřevěný kotouč	Maximální
Větrací otvor v podlaze	Dřevěný kotouč	Střední / Maximální
PVC trubka	Dřevěný kotouč	Střední
Lepená podlahová krytina	Škrabák	Střední
Broušení smirkovým papírem	Škrabák	Střední / Maximální

▲ UPOZORNĚNÍ: Z důvodů bezpečnosti je obsluha před použitím tohoto víceúčelového nářadí povinná si přečíst části tohoto návodu s názvem **OBECNÉ BEZPEČNOSTNÍ POKYNY, ZVLÁŠTNÍ BEZPEČNOSTNÍ PRAVIDLA a SYMBOLY**.

Při každém použití víceúčelového nářadí zkontrolujte:

- ☛ Zda jsou použity ochranné brýle nebo ochranný štít.
- ☛ Zda jsou použity chrániče sluchu.
- ☛ Zda je kotouč nebo smirkový papír v dobrém stavu.
- ☛ Zda je příslušenství správně upevněno do držáku příslušenství nářadí.

Nedodržování těchto bezpečnostních pravidel významně zvyšuje riziko úrazu.

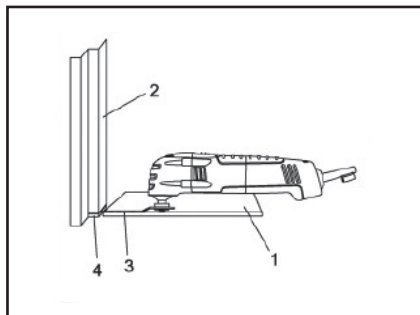
5.4 ÚROVNĚVÉ ŘEZÁNÍ DVEŘNÍHO OSTĚNÍ A ZÁRUBNĚ PRO OSAZENÍ PODLAHY

Víceúčelové nářadí lze použít pro úrovňové řezání dveřního ostění a zárubně k vytvoření prostoru pro těsné osazení nové podlahy pod dveřní ostění a zárubeň. Pro účely názorného předvedení procedury použijeme podlahovou dlaždici.

1. Nasadíte na nářadí zapichovací pilový list na dřevo (obr. 2)

 **POZNÁMKA:** List by měl být vycentrován na krytu nářadí a NIKOLI nasazen pod úhlem 90°.

2. Položte na podlahu kus rozbité dlaždice (1) přibližně 1/2" (25 mm) od dveřního ostění (2) (obr. 7)



obr. 7

POZNÁMKA: Dbejte, aby byla dlaždice otočena „dobrou“ stranou nahoru a poskytla tak listu hladký opěrný povrch.

3. Položte nářadí s řezacím listem (3) tak, aby se lehce dotýkalo povrchu dlaždice a aby se řezací zuby NEDOTÝKALY řezaného povrchu.
4. Nastavte nejvyšší otáčky a zapněte nářadí (Obr. 5 a 6)
5. Jakmile nářadí dosáhne maximálních otáček, opatrně zajeďte listem do dveřního ostění a zároveň jím posouvejte po podlahové dlaždici.

POZNÁMKA: Držte nářadí pevně a nevyvíjejte na řezací list přílišný tlak, jelikož by to mohlo vyvolat nadměrné vibrace nářadí.

6. Proveďte ještě několik zapichovacích řezů, dokud nedojde k úplnému odříznutí spodní části dveřního ostění a zárubně a volné části nelze snadno vyjmout.

Stejný základní postup použijte pro instalaci koberec s použitím tužší podložky, která má stejnou tloušťku jako instalovaný koberec.

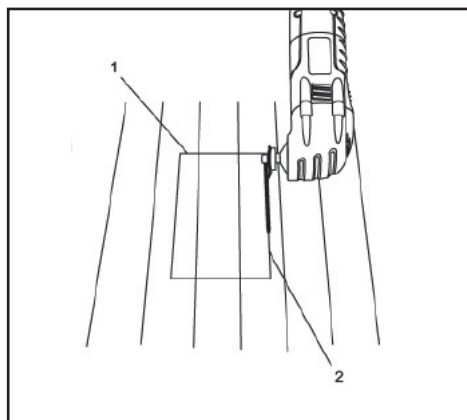
5.5 ŘEZÁNÍ OTVORU DO DŘEVĚNÉ PODLAHY PRO INSTALACI PRŮDUCHU TOPENÍ

Víceúčelové nářadí lze použít k vyřezání otvoru do dřevěné podlahy pro instalaci průduchu topení.

1. Nasadte na nářadí zapichovací pilový list na dřevo (Obr. 2).


POZNÁMKA: List by měl být vycentrován na krytu nářadí a NIKOLI nasazen pod úhlem 90°.

2. Položte podlahový průduch na podlahu a měkkou tužkou vyznačte na podlaze požadovaný obdélníkový otvor (1) (Obr. 8)




obr. 8

3. Umístěte řezací list (2) těsně nad podlahu ve středu jedné z linií řezu.
4. Nastavte na nářadí střední otáčky a zapněte nářadí (Obr. 5 a 6)

 **POZNÁMKA:** Nářadí a list by měly být vůči podlaze pod úhlem 45°, aby se roh listu mohl zapíchnout do podlahy.


5. Držte nářadí pevně a přitom pomalu zapichujte roh listu do podlahy, dokud se neprořeže skrz ni. Jakmile je zapichovací řez dokončen, nastavte nářadí na nejvyšší otáčky a dokončete řez až do rohu obdélníku.
6. Vypněte pilu, vyjměte ji z řezu a pokračujte v řezání opačným směrem a dokončete řez na první straně obdélníku.
7. Opakujte kroky č. 4, 5, 6 a vyřízněte zbývající tři strany obdélníku.
8. Jakmile jsou všechny řezy hotové, použijte plochý šroubovák a opatrně vypáčte výkrojek z podlahy.

 **POZNÁMKA:** K vypáčení výkrojku z podlahy **NEPOUŽÍVEJTE** pilový list. Došlo by k jeho zlomení. Nelze-li výkrojek z podlahy snadno vypáčit, přesvědčte se, zda je každá linie řezu proříznuta až do samého rohu obdélníku.

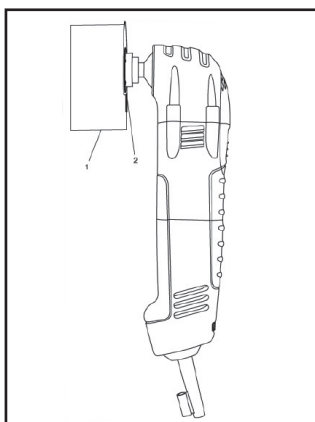
5.6 ŘEZÁNÍ OTVORU DO SÁDROKARTONOVÉ STĚNY PRO INSTALACI ELEKTRICKÉ KRABÍČKY

Víceúčelové nářadí lze použít k vyřezání otvoru do sádrokartonové stěny pro instalaci elektrické krabičky.

1. Nasadte na nářadí půlkruhový pilový list na dřevo a sádrokarton (Obr. 2)

 **POZNÁMKA:** List by měl být vycentrován na krytu nářadí a NIKOLI nasazen pod úhlem 90°.

2. Položte krabičku na sádrokartonovou stěnu a měkkou tužkou vyznačte na sádrokartonové stěně požadovaný obdélníkový otvor (1) (Obr. 9)




obr. 9

3. Umístěte rohovou hranu řezacího listu (2) těsně k sádrokartonové stěně ve středu jedné z linií řezu.
4. Nastavte nejvyšší otáčky a zapněte nářadí (Obr. 5 a 6)
5. Jakmile nářadí dosáhne maximálních otáček, opatrně zajedte listem do sádrokartonové stěny až do úplného proříznutí. Dokončete řez až do rohu obdélníku.

 **POZNÁMKA:** Držte nářadí pevně a při řezání nevyvíjejte na řezací list přílišný tlak.

6. Vypněte pilu, vyjměte ji z řezu a pokračujte v řezání opačným směrem a dokončete řez na první straně obdélníku.
7. Opakujte kroky č. 4, 5, 6 a vyřízněte zbývající tři strany obdélníku.
8. Jakmile jsou všechny řezy hotové, použijte plochý šroubovák a opatrně vypáče výkrojek ze sádrokartonové stěny.

 **POZNÁMKA:** K vypáčení výkrojku z podlahy nepoužívejte pilový list. Došlo by k jeho zlomení. Nelze-li výkrojek ze sádrokartonové stěny snadno vypáčit, přesvědčte se, zda je každá linie řezu proříznuta až do samého rohu obdélníku.

5.7 POUŽITÍ NÁSTAVCE PRO JEMNÉ BROUŠENÍ

1. Nasadte na víceúčelové nářadí přitlačnou botku, jak ukazuje Obr. 2
2. Nasadte na přitlačnou botku smirkový papír, jak ukazuje Obr. 3
3. Nastavte regulátor otáček v rozmezí 4 až MAX, jak ukazuje Obr. 6
4. Přepněte vypínač do polohy ZAPNUTO, jak ukazuje Obr. 5

Toto nářadí je určeno k jemnému broušení na malých površích. Položte přitlačnou botku smirkovým papírem na součást, která má být broušena. Nechte nářadí běžet, aby nedošlo k rýhování povrchu. Při broušení drsných povrchů a odstraňování předchozích povrchových úprav použijte hrubý smirkový papír a nižší otáčky. Chcete-li docílit hladšího povrchu, použijte jemný smirkový papír a vyšší otáčky.

5.8 POUŽITÍ ŠKRABÁKU

1. Nasadte na víceúčelové nářadí škrabák, jak ukazuje Obr. 2, Obr. 1 a 2
2. Nastavte regulátor otáček na 4 a přepněte vypínač do polohy ZAPNUTO, jak ukazuje Obr. 5 a 6

Chcete-li použít škrabák pro škrabání starých povrchových úprav nebo lepidla z opracovávaného dílu, položte spodní stranu škrabáku naplocho na povrch opracovávaného dílu a poté přizvedněte zadní část nářadí, čímž bude nářadí pod velmi mírným úhlem oproti povrchu opracovávaného dílu. Škrabák pomalu zasouvejte do materiálu, který má být odstraněn. Netlačte na nářadí, protože pomalá rychlost posuvu zajišťuje lepší výsledky řezání a snižuje riziko vzniku rýh na opracovávaném dílu.

Chcete-li použít škrabák na řezání koberce, umístěte pod koberec, kde má být řez proveden, nepotřebnou podložku. Nastavte otáčky na MAX, natočte nářadí tak, aby byl škrabák v pravém úhlu (kolmo) ke koberci a zasouvejte škrabák do koberce.

6. ÚDRŽBA

OBECNÉ POKYNY

⚠ UPOZORNĚNÍ: Při provádění servisu používejte výhradně stejné náhradní díly. Při použití jakýchkoli jiných dílů může dojít k nebezpečí úrazu nebo poškození výrobku.

Při čištění plastových částí nepoužívejte rozpouštědla. Plasty jsou náchylné k poškození různými druhy komerčních rozpouštědel a v důsledku použití těchto rozpouštědel by mohlo dojít k jejich poškození. K odstranění nečistot, prachu, oleje, vazelíny, apod. použijte čistý hadřík.

⚠ UPOZORNĚNÍ: Dbejte, aby se plastové součásti nedostaly do kontaktu s brzdovou kapalinou, benzínem, výrobky na bázi ropy, penetračními oleji, apod. Tyto produkty obsahují chemikálie, které poškozují, zeslabují nebo ničí plasty.

Nepoužívejte elektrické nářadí nesprávným či nevhodným způsobem. Používání nářadí nesprávným či nevhodným způsobem může poškodit nářadí i opracovávaný díl.

⚠ UPOZORNĚNÍ: Nepokoušejte se provádět úpravy nářadí nebo vyrábět k němu příslušenství. Jakékoli takové změny či úpravy jsou zneužitím a mohly by vyvolat nebezpečný stav nářadí a vést k případnému vážnému úrazu. V jejich důsledku zaniká rovněž záruka.

MAZÁNÍ

Všechna ložiska v tomto nářadí jsou namazána dostatečným množstvím maziva vysoké kvality na celou životnost zařízení za normálních podmínek. Z toho důvodu není nutné provádět mazání.

7. TECHNICKÉ ÚDAJE

OSCILAČNÍ BRUSKA	
Napájení	230 V/50 Hz
Jmenovitý příkon	300 W
Rychlost při volnoběhu	15 000 – 22 000 ot./min
Třída ochrany	II
Délka napájecího kabelu	1,8 m
Hladina akustického výkonu	100.2 dB(A)
Vibrace:	$a_h=4,464 \text{ ms}^{-2}$, $K = 1,5 \text{ ms}^{-2}$

8. LIKVIDACE

POKYNY A INFORMACE O NAKLÁDÁNÍ S POUŽITÝM OBALEM

Použitý obalový materiál odložte na místo určené obcí k ukládání odpadu.

LIKVIDACE POUŽITÝCH ELEKTRICKÝCH A ELEKTRONICKÝCH ZAŘÍZENÍ



Tento symbol na produktech anebo v průvodních dokumentech znamená, že použité elektrické a elektronické výrobky nesmí být přidány do běžného komunálního odpadu. Ke správné likvidaci, obnově a recyklaci předejte tyto výrobky na určená sběrná místa. Alternativně v některých zemích Evropské unie nebo jiných evropských zemích můžete vrátit své výrobky místnímu prodejci při koupi ekvivalentního nového produktu. Správnou likvidací tohoto produktu pomůžete zachovat cenné přírodní zdroje a napomáháte prevencí potenciálních negativních dopadů na životní prostředí a lidské zdraví, což by mohly být důsledky nesprávné likvidace odpadů. Další podrobnosti si vyžádejte od místního úřadu nebo nejbližšího sběrného místa. Při nesprávné likvidaci tohoto druhu odpadu mohou být v souladu s národními předpisy uděleny pokuty.

PRO PODNIKOVÉ SUBJEKTY V ZEMÍCH EVROPSKÉ UNIE

Chcete-li likvidovat elektrická a elektronická zařízení, vyžádejte si potřebné informace od svého prodejce nebo dodavatele.

LIKVIDACE V OSTATNÍCH ZEMÍCH MIMO EVROPSKOU UNII



Tento symbol je platný v Evropské unii. Chcete-li tento výrobek zlikvidovat, vyžádejte si potřebné informace o správném způsobu likvidace od místních úřadů nebo od svého prodejce.

Tento výrobek splňuje veškeré základní požadavky směrnic EU, které se na něj vztahují.

Změny v textu, designu a technických specifikacích se mohou měnit bez předchozího upozornění a vyhrazujeme si právo na jejich změnu.

Multifunkčné náradie

NÁVOD NA OBSLUHU

Ďakujeme vám, že ste si zakúpili toto multifunkčné náradie. Skôr, než ho začnete používať, prečítajte si prosím pozorne tento návod na obsluhu a uschovajte ho pre prípad ďalšieho použitia.

OBSAH

1. VŠEOBECNÉ BEZPEČNOSTNÍ PŘEDPISY	44
2. SYMBOLY	49
3. VŠEOBECNÝ POPIS	50
4. PRÍSLUŠENSTVO	50
5 MONTÁŽ A OBSLUHA	51
6. ÚDRŽBA	60
7. TECHNICKÉ ÚDAJE	61
8. LIKVIDÁCIA	62

1. VŠEOBECNÉ BEZPEČNOSTNÉ PREDPISY

⚠ POZOR! Pred použitím si pozorne prečítajte návod na použitie

Dôležité bezpečnostné upozornenia


- ✿ Výrobok starostlivo vybaľte a dajte pozor, aby ste nevyhodili žiadnu časť obalového materiálu skôr, ako nájdete všetky súčasti výrobku.
- ✿ Výrobok uschovávajte na suchom mieste mimo dosahu detí.
- ✿ Čítajte všetky upozornenia a pokyny. Zanedbanie pri dodržovaní varovných upozornení a pokynov môžu mať za následok úraz elektrickým prúdom, požiar a/alebo ťažké poranenia.

Obal

Výrobok je umiestnený v obale brániacom poškodeniu pri transporte. Tento obal je surovinou a je možné ho preto odovzdať na recykláciu.

Návod na použitie

Kým začnete so strojom pracovať, prečítajte si nasledujúce bezpečnostné predpisy a pokyny na používanie. Zoznámte sa s obslužnými prvkami a správnym používaním zariadenia. Návod starostlivo uschovajte pre prípad neskoršej potreby. Minimálne počas záruky odporúčame uschovať originálny obal vrátane vnútorného baliaceho materiálu, pokladničný doklad a záručný list. V prípade prepravy zabaľte stroj späť do originálnej škatule od výrobcu, zaistíte si tak maximálnu ochranu výrobku pri prípadnom transporte (napr. sfahovaní alebo odoslaní do servisného strediska).

 **Poznámka:** Ak odovzdávate stroj ďalším osobám, odovzdajte ho spoločne s návodom. Dodržiavanie priloženého návodu na obsluhu je predpokladom riadneho používania stroja. Návod na obsluhu obsahuje aj pokyny pre obsluhu, údržbu a opravy.

Výrobca nepreberá zodpovednosť za nehody alebo škody, ktoré vzniknú následkom nedodržovania tohto návodu.

VŠEOBECNÉ BEZPEČNOSTNÉ POKYNY

Tieto bezpečnostné pokyny si starostlivo preštudujte, zapamätajte a uschovajte

⚠ UPOZORNENIE! Pri používaní elektrických strojov a elektrického náradia je nutné rešpektovať a dodržiavať nasledujúce bezpečnostné pokyny z dôvodu ochrany pred úrazom elektrickým prúdom, zraneniam osôb a nebezpečenstvom vzniku požiaru. Výrazom „elektrické náradie“ sa vo všetkých nižšie uvedených pokynoch myslí elektrické náradie napájané zo siete (napájacím káblom), ako aj náradie napájané z batérií (bez napájacieho kábla). Uschovajte všetky varovania a pokyny pre budúce použitie.

Pracovné prostredie

- ✿ Udržujte pracovný priestor v čistom stave a dobre osvetlený. Neporiadok a tmavé miesta na pracovisku bývajú príčinou úrazov. Odložte náradie, ktoré práve nepoužívate.
- ✿ Nepoužívajte elektrické náradie v prostredí s nebezpečenstvom vzniku požiaru alebo výbuchu, to znamená v miestach, kde sa vyskytujú horľavé kvapaliny, plyny alebo prach. V elektrickom náradí vzniká na komutátore iskrenie, ktoré môže byť príčinou vznietenia prachu alebo výparov.
- ✿ Pri používaní el. náradia zamedzte prístupu nepovolaných osôb, najmä detí, do pracovného priestoru! Ak budete vyrušovaní, môžete stratiť kontrolu nad vykonávanou činnosťou. V žiadnom prípade nenechávajte el. náradie bez dozoru. Zabráňte zvieratám v prístupe k zariadeniu.

Elektrická bezpečnosť

- ✿ Vidlica napájacieho kábla elektrického náradia musí zodpovedať sieťovej zásuvke. Nikdy žiadnym spôsobom neupravujte vidlicu. K náradiu, ktoré má na vidlicu napájacieho kábla ochranný kolík, nikdy nepoužívajte rozdvojky ani iné adaptéry. Nepoškodené vidlice a zodpovedajúce zásuvky znižujú riziko úrazu elektrickým prúdom. Poškodené alebo zamotané napájacie káble zvyšujú nebezpečenstvo úrazu elektrickým prúdom. Ak je sieťový kábel poškodený, je nutné ho nahradiť novým sieťovým káblom, ktorý sa dá získať v autorizovanom servisnom stredisku alebo u dovozcu.
- ✿ Vyvarujte sa dotyku tela s uzemnenými predmetmi, ako napr. potrubie, vykurovacie telesá, sporáky a chladničky. Nebezpečenstvo úrazu elektrickým prúdom je väčšie, ak je vaše telo spojené so zemou.
- ✿ Nevystavujte elektrické náradie dažďu, vlhku alebo moku. Elektrického náradia sa nikdy nedotýkajte mokrými rukami. Elektrické náradie nikdy neumývajte pod tečúcou vodou ani ho neponárajte do vody.

- ✿ Nepoužívajte napájací kábel na iný účel, než na aký je určený. Nikdy nenoste a nefahajte elektrické náradie za napájací kábel. Nevyfahujte vidlicu zo zásuvky fahaním za kábel. Zabráňte mechanickému poškodeniu elektrických káblov ostrými alebo horúcimi predmetmi.
- ✿ El. náradie bolo vyrobené výlučne na napájanie striedavým el. prúdom. Vždy skontrolujte, že elektrické napätie zodpovedá údaju uvedenému na typovom štítku náradia.
- ✿ Nikdy nepracujte s náradím, ktoré má poškodený el. kábel alebo vidlicu, alebo spadlo na zem a je nejakým spôsobom poškodené.
- ✿ V prípade použitia predlžovacieho kábla vždy skontrolujte, že jeho technické parametre zodpovedajú údajom uvedeným na typovom štítku náradia. Ak sa elektrické náradie používa vonku, používajte predlžovací kábel vhodný na vonkajšie použitie. Pri použití predlžovacích bubnov je nutné ich rozvinúť, aby nedochádzalo k prehriatiu kábla.
- ✿ Ak sa elektrické náradie používa vo vlhkých priestoroch alebo vonku, je povolené ho používať, iba ak je zapojené do el. obvodu s prúdovým chráničom < 30 mA. Použitie el. obvodu s chráničom /RCD/ znižuje riziko úrazu elektrickým prúdom.
- ✿ Ručné el. náradie držte výlučne za izolované plochy určené na uchopenie, pretože pri prevádzke môže dôjsť ku kontaktu rezacieho či vŕtacieho príslušenstva so skrytým vodičom alebo s napájacou šnúrou náradia.

Bezpečnosť osôb

- ✿ Pri používaní elektrického náradia buďte pozorní a ostražití, venujte maximálnu pozornosť činnosti, ktorú práve vykonávate. Sústreďte sa na prácu. Nepracujte s elektrickým náradím, ak ste unavení, alebo ak ste pod vplyvom drog, alkoholu alebo liekov. Aj chvíľková nepozornosť pri používaní elektrického náradia môže viesť k vážnemu poraneniu osôb. Pri práci s el. náradím nejedzte, nepite a nefajčíte.
- ✿ Používajte ochranné pomôcky. Vždy používajte ochranu zraku. Používajte ochranné prostriedky zodpovedajúce druhu práce, ktorú vykonávate. Ochranné pomôcky, ako napr. respirátor, bezpečnostná obuv s protišmykovou úpravou, pokrývka hlavy alebo ochrana sluchu používané v súlade s podmienkami práce znižujú riziko poranenia osôb.
- ✿ Vyvarujte sa neúmyselného zapnutia náradia. Neprenášajte náradie, ktoré je pripojené k elektrickej sieti, s prstom na spínači alebo na spúšti. Pred pripojením k elektrickému napájaniu sa uistite, že spínač alebo spúšť sú v polohe „vypnuté“. Prenášanie náradia s prstom na spínači alebo zapájanie vidlice náradia do zásuvky so zapnutým spínačom môže byť príčinou vážnych úrazov.
- ✿ Pred zapnutím náradia odstráňte všetky nastavovacie kľúče a nástroje. Nastavovací kľúč alebo nástroj, ktorý zostane pripevnený k otáčajúcej sa časti elektrického náradia môže byť príčinou poranenia osôb.
- ✿ Vždy udržiavajte stabilný postoj a rovnováhu. Pracujte len tam, kam bezpečne dosiahnete. Nikdy nepreceňujte vlastnú silu. Nepoužívajte elektrické náradie, ak ste unavení.
- ✿ Obliekajte sa vhodným spôsobom. Používajte pracovný odev. Nenoste voľné odevy ani šperky. Dbajte na to, aby sa vaše vlasy, odev, rukavice alebo iná časť vášho tela nedostala do prílišnej blízkosti rotujúcich alebo rozpálených častí el. náradia.

- ✿ Pripojte zariadenie na odsávanie prachu. Ak má náradie možnosť pripojenia zariadenia na zachytávanie alebo odsávanie prachu, zaistíte, aby došlo k jeho riadnemu pripojeniu a používaniu. Použitie týchto zariadení môže znížiť nebezpečenstvo vznikajúce prachom.
- ✿ Pevne upevnite obrobok. Použite stolársku svorku alebo zverák na upevnenie dielu, ktorý budete obrábať.
- ✿ Nepoužívajte elektrické náradie, ak ste pod vplyvom alkoholu, drog, liekov alebo iných omamných alebo návykových látok.
- ✿ Toto zariadenie nie je určené na použitie osobami (vrátane detí) so zníženými fyzickými, zmyslovými alebo mentálnymi schopnosťami, alebo s nedostatkom skúseností a znalostí, pokiaľ nie sú pod dozorom alebo nedostali pokyny ohľadom použitého zariadenia od osoby zodpovednej za ich bezpečnosť. Deti musia byť pod dozorom, aby ste sa uistili, že sa nehrajú so zariadením.

Používanie elektrického náradia a jeho údržba

- ✿ El. náradie vždy odpojte z el. siete v prípade akéhokoľvek problému pri práci, pred každým čistením alebo údržbou, pri každom presune a po ukončení práce! Nikdy nepracujte s el. náradím, ak je akýmkoľvek spôsobom poškodené.
- ✿ Ak začne náradie vydávať abnormálny zvuk alebo zápach, okamžite ukončíte prácu.
- ✿ Elektrické náradie neprefažujte. Náradie bude pracovať lepšie a bezpečnejšie, ak ho budete prevádzkovať v otáčkach, pre ktoré bolo navrhnuté. Používajte správne náradie, ktoré je určené pre danú činnosť. Správne náradie bude lepšie a bezpečnejšie vykonávať prácu, na ktorú bolo skonštruované.
- ✿ Nepoužívajte elektrické náradie, ktoré nie je možné bezpečne zapnúť a vypnúť ovládacím spínačom. Používanie takého náradia je nebezpečné. Chybné spínače musia byť opravené certifikovaným servisom.
- ✿ Odpojte náradie od zdroja elektrickej energie predtým, než začnete vykonávať jeho nastavovanie, výmenu príslušenstva alebo údržbu. Toto opatrenie zabráni náhodnému spusteniu.
- ✿ Nepoužívané elektrické náradie upracte a uschovajte tak, aby bolo mimo dosahu detí a nepovolaných osôb. Elektrické náradie v rukách neskúsených používateľov môže byť nebezpečné. Elektrické náradie skladujte na suchom a bezpečnom mieste.
- ✿ Udržujte elektrické náradie v dobrom stave. Pravidelne kontrolujte nastavenie pohybujúcich sa častí a ich pohyblivosť. Kontrolujte, či nedošlo k poškodeniu ochranných krytov alebo iných častí, ktoré môžu ohroziť bezpečnú prevádzku náradia. Pokiaľ je náradie poškodené, pred ďalším použitím zaistíte jeho riadnu opravu. Veľa úrazov je spôsobených zle udržiavaným elektrickým náradím.
- ✿ Rezacie nástroje udržiavajte ostré a čisté. Správne udržiavané a naoštrené nástroje uľahčujú prácu, obmedzujú nebezpečenstvo zranenia a práca s nimi sa ľahšie kontroluje. Použitie iného príslušenstva než toho, ktoré je uvedené v návode na obsluhu, môže spôsobiť poškodenie náradia a byť príčinou zranenia.

- ✿ Elektrické náradie, príslušenstvo, pracovné nástroje atď. používajte v súlade s týmito pokynmi a takým spôsobom, ktorý je predpísaný pre konkrétne elektrické náradie a to s ohľadom na dané podmienky práce a druh vykonávanej práce. Používanie náradia na iné účely, než na aké je určené, môže viesť k nebezpečným situáciám.

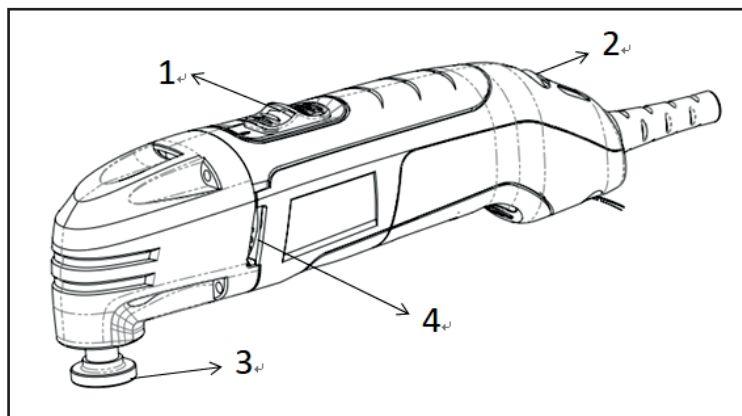
Servis

- ✿ Nevymieňajte časti náradia, nevykonávajte sami opravy, ani iným spôsobom nezasahujte do konštrukcie náradia. Opravy náradia zverte kvalifikovaným osobám.
- ✿ Každá oprava alebo úprava výrobku bez oprávnenia našej spoločnosti je neprípustná (môže spôsobiť úraz alebo škodu používateľovi).
- ✿ Elektrické náradie vždy nechajte opraviť v certifikovanom servisnom stredisku. Používajte len originálne alebo odporúčané náhradné diely. Zaisťíte tak bezpečnosť vašu i vášho náradia.

2. SYMBOLY

	Tento produkt je vyrobený v súlade so schválenými normami.
	Pred použitím stroja si pozorne prečítajte návod na obsluhu.
	Dvojitá izolácia
	Použite ochranné pomôcky na oči
	Použite ochranné pomôcky na uši
	Používajte ochrannú masku proti prachu.
	Neodhadzovať

3. VŠEOBECNÝ POPIS



1. Vypínač
2. Regulátor otáčok
3. Držiak príslušenstva
4. Vetracie otvory

4. PRÍSLUŠENSTVO

DISPONIBILNÉ PRÍSLUŠENSTVO

⚠ UPOZORNENIE: Používajte len príslušenstvo odporúčané pre toto viacúčelové náradie. Riadte sa pokynmi dodávanými spolu s príslušenstvom. V dôsledku používania nevhodného príslušenstva môže dôjsť k úrazu obsluhy alebo poškodeniu náradia

Pred použitím akéhokoľvek príslušenstva si prosím dôkladne prečítajte pokyny alebo návod na použitie príslušenstva.

- * Pílové listy
- * Škrabáky
- * Brusný papier

⚠ UPOZORNENIE: Ak niektorá súčasť chýba alebo je poškodená, nezapájajte náradie ku zdroju napájania ani neinštalujte žiadne príslušenstvo, pokiaľ nebude chýbajúca alebo poškodená časť nahradená

POLOŽKY V BALENÍ

- ✿ Viacúčelové náradie 1 ks
- ✿ Škrabáky 1 ks
- ✿ Pílové listy 1 ks
- ✿ Držiak na brusný papier 1 ks
- ✿ Brusné papiere 3 ks
- ✿ Imbusový kľúč 1 ks

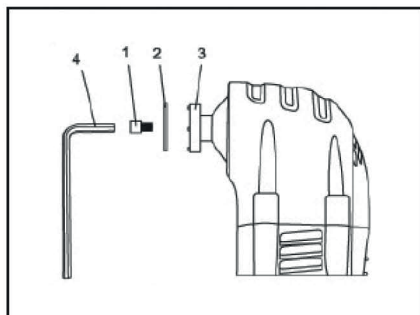
5. MONTÁŽ A OBSLUHA

5.1 INŠTALÁCIA PRÍSLUŠENSTVA

Všetko príslušenstvo sa na viacúčelové náradie inštaluje podobným spôsobom. Pre účely alebo opis inštalácie príslušenstva použijeme polkruhový kotúč..

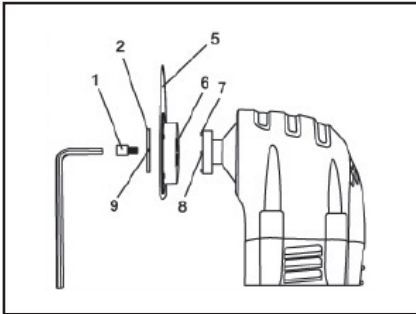
⚠ NEBEZPEČÍ! Pred inštaláciou alebo snímaním príslušenstva alebo brúsneho papiera vždy vytiahnite zástrčku zo zdroja napájania. Ak zástrčku nevytiahnete zo zdroja napájania, môže dôjsť k náhodnému spusteniu náradia a vážnemu úrazu obsluhy.

1. Odstráňte skrutku (1) a podložku (2) z držiaka príslušenstva (3) otáčaním skrutky proti smeru hodinových ručičiek. Použite 5mm imbusový kľúč (4), ak je skrutka príliš utiahnutá, aby ju bolo možné vytočiť rukou (Obr. 1).



obr. 1


2. Umiestnite kotúč (5) na držiak príslušenstva (Obr. 2)




obr. 2

POZNÁMKY:

- ☼ Dbajte na to, aby lícovacie otvory (6) v kotúči dosadli do lícovacích čapov (7) v držiaku príslušenstva a aby poťlačená strana kotúča smerovala čelom k náradiu.
 - ☼ Kotúč je možné podľa potreby nasadiť pod rôznymi uhlami naľavo alebo napravo od stredu.
3. Priskrutkujte skrutku (1) skrz podložku (2) a kotúč do otvoru so závitom (8) držiaka príslušenstva.
 4. Otáčajte skrutkou v smere hodinových ručičiek a dotiahnite ho rukou.

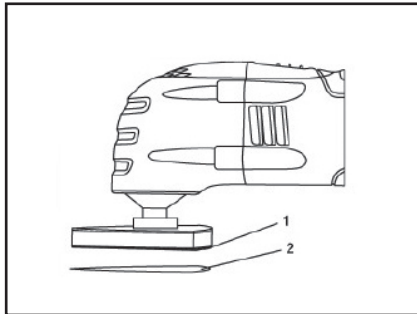
 **POZNÁMKY:** Presvedčte sa, či vyduťo zakrivená strana podložky (9) smeruje k hlave skrutky. Dbajte na to, aby lícovacie otvory neustále dosadali do lícovacích čapov v držiaku príslušenstva.

5. Pevne dotiahnite skrutku pomocou 5mm imbusového kľúča

 **POZNÁMKA:** Dbajte na to, aby lícovacie otvory neustále dosadali do lícovacích čapov v držiaku príslušenstva.

5.2 INŠTALÁCIA BRUSNÉHO PAPIERA

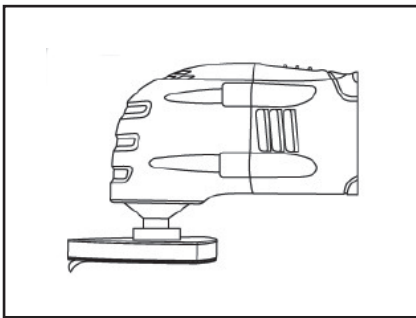
1. Nasadíte na náradie prítláčnú dosku (1) so suchým zipsom (Obr. 3)
2. Na prítláčnú dosku so suchým zipsom pevne pritlačíte brusný papier (2)



obr. 3

POZNÁMKA: Umiestnite brusný papier tak, aby otvory v brúsnom papieri lícovali s príslušnými otvormi v prítláčnej doske so suchým zipsom. Na prítláčnú dosku so suchým zipsom pevne pritlačte brusný papier.

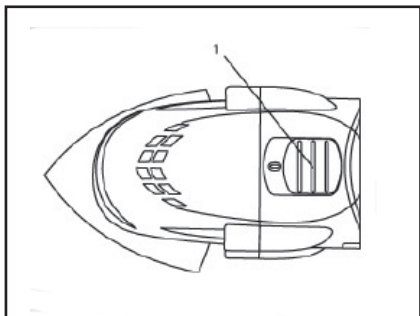
3. Ak chcete odobrať brusný papier, jednoducho ho z prítláčnej dosky so suchým zipsom zlúpnite (Obr. 4)



obr. 4

5.3 VYPÍNAČ

- ☼ Ak chcete náradie zapnúť, presuňte vypínač (1) smerom k prednej časti náradia (Obr. 5).
- ☼ Ak chcete náradie vypnúť, presuňte vypínač smerom k zadnej časti náradia (Obr. 5).

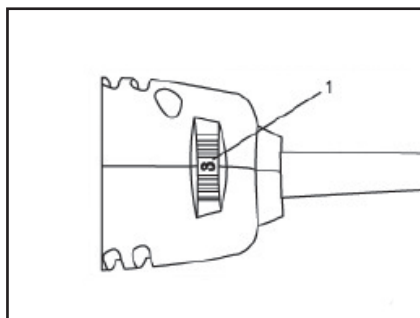


obr. 5

5.4 REGULÁTOR OTÁČOK

Otáčky náradia je možné nastaviť tak, aby bolo možné náradie používať v rozsahu otáčok 10 000 až 18 000 ot/min, a to otáčaním regulátora otáčok (1) umiestneného v zadnej časti krytu náradia (Obr. 6)

- ☼ Ak chcete zvýšiť otáčky, otáčajte regulátorom otáčok smerom k ľavej strane náradia.
- ☼ Ak chcete znížiť otáčky, otáčajte regulátorom otáčok smerom k pravej strane náradia



obr. 6

POZNÁMKA: Otáčky č. 1 sú najnižšie otáčky. MAX sú najvyššie otáčky. Nastavenie optimálnych otáčok je rôzne podľa typu použitého príslušenstva, opracovávaného povrchu a zložitosti projektu. Všeobecné odporúčania sú uvedené v tabuľke na ďalšej strane.

PROJEKT:	PRÍSLUŠENSTVO:	OTÁČKY:
Sadrokartón	Polkruhový kotúč	Maximálne
Obnova okien	Polkruhový kotúč	Stredné
Dverné ostenie	Drevený kotúč	Maximálne
Dverná zárubňa	Drevený kotúč	Stredné / Maximálne
Drevené čapy	Drevený kotúč	Maximálne
Vetrací otvor v podlahe	Drevený kotúč	Stredné / Maximálne
PVC trubka	Drevený kotúč	Stredné
Lepená podlahová krytina	Škrabák	Stredné
Brúsenie brusným papierom	Škrabák	Stredné / Maximálne

⚠ UPOZORNENIE: Z dôvodov bezpečnosti je obsluha pred použitím tohto viacúčelového náradia povinná si prečítať časť tohto návodu s názvom **VŠEOBECNÉ BEZPEČNOSTNÉ POKYNY, OSOBNÉ BEZPEČNOSTNÉ PRAVIDLÁ a SYMBOLY**.

Pri každom použití viacúčelového náradia skontrolujte:

- ✿ Či sú použité ochranné okuliare alebo ochranný štít.
- ✿ Či sú použité chrániče sluchu.
- ✿ Či je kotúč alebo brusný papier v dobrom stave.
- ✿ Či je príslušenstvo správne upevnené do držiaka príslušenstva náradia.

Nedodržiavanie týchto bezpečnostných pravidiel významne zvyšuje riziko úrazu

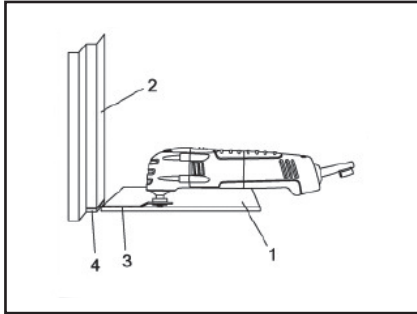
5.4 ÚROVŇOVÉ REZANIE DVERNÉHO OSTENIA A ZÁRUBNE NA OSADENIE PODLAHY

Viacúčelové náradie možno použiť na úrovňové rezanie dverného ostenia a zárubne na vytvorenie priestoru pre tesné osadenie novej podlahy pod dverné ostenie a zárubňu. Na účely názorného predvedenia procedúry použijeme podlahovú dlaždicu.

1. Nasadíte na náradie zapichovací pílový list na drevo (Obr. 2)

📖 POZNÁMKA: List by mal byť vycentrovaný na kryte náradia a NIE nasadený pod uhlom 90°.

2. Položte na podlahu kus rozbitej dlaždice (1) približne 1/2" (25 mm) od dverného ostenia (2)



obr. 7

POZNÁMKA: Dbajte na to, aby bola dlaždice otočená „dobrou“ stranou nahor a poskytla tak listu hladký oporný povrch.

3. Položte náradie s rezacím listom (3) tak, aby sa zľahka dotýkalo povrchu dlaždice a aby sa rezacie zuby NEDOTÝKALI rezaného povrchu.
4. Nastavte najvyššie otáčky a zapnite náradie (Obr. 5 a 6).
5. Keď náradie dosiahne maximálne otáčky, opatrne zádajte listom do dverového ostenia a zároveň ním posúvajte po podlahovej dlaždici.

POZNÁMKA: Držte náradie pevne a nevyvíjajte na rezací list prílišný tlak, pretože by to mohlo vyvolať nadmerné vibrácie náradia.

6. Vykonajte ešte niekoľko zapichovacích rezov, kým nedôjde k úplnému odrezaniu spodnej časti dverného ostenia a zárubne a voľné časti nie je možné ľahko vybrať.

Rovnaký základný postup použite na inštaláciu koberca s použitím tuhšej podložky, ktorá má rovnakú hrúbku ako inštalovaný koberec.

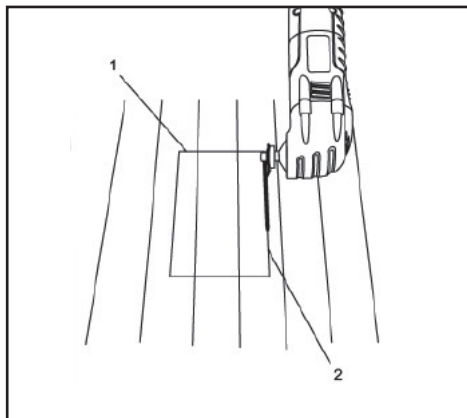
5.5 REZANIE OTVORU DO DREVEJ PODLAHY NA INŠTALÁCIU PRIEDUCHU VYKUROVANIA

Viacúčelové náradie možno použiť na vyrezanie otvoru do drevenej podlahy na inštaláciu prieduchu vykurovania.

1. Nasadte na náradie zapichovací pílový list na drevo (Obr. 2)

POZNÁMKA: List by mal byť vycentrován na kryte náradia a NIE nasadený pod uhlom 90°.

2. Položte podlahový prieduch na podlahu a mäkkou ceruzkou vyznačte na podlahe požadovaný obdĺžnikový otvor (1) (Obr. 8)



obr. 8

3. Umiestnite rezací list (2) tesne nad podlahu v strede jednej z línií rezu.
4. Nastavte na náradí stredné otáčky a zapnite náradie (Obr. 5 a 6)

 **POZNÁMKA:** Náradie a list by mali byť voči podlahe pod uhlom 45°, aby sa roh listu mohol zapichnúť do podlahy.


5. Držte náradie pevne a pritom pomaly zapichujte roh listu do podlahy, kým sa neprereže skrz ňu. Keď je zapichovací rez dokončený, nastavte náradie na najvyššie otáčky a dokončite rez až do rohu obdĺžnika.
6. Vypnite pílu, vyberte ju z rezu, pokračujte v rezaní opačným smerom a dokončite rez na prvej strane obdĺžnika.
7. Opakujte kroky č. 4, 5, 6 a vyrežte zvyšné tri strany obdĺžnika.
8. Keď sú všetky rezy hotové, použite plochý skrutkovač a opatrne vypáčte výrezok z podlahy.

 **POZNÁMKA:** Na vypáčenie výrezku z podlahy **NEPOUŽÍVAJTE** pílový list. Došlo by k jeho zlomeniu. Ak sa výrezok nedá z podlahy ľahko vypáčiť, presvedčte sa, či je každá línia rezu prerezaná až do samého rohu obdĺžnika.

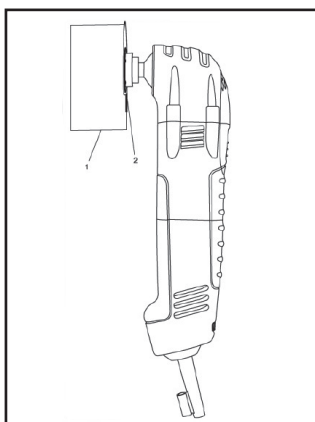
5.6 REZANIE OTVORU DO SADROKARTÓNOVEJ STENY NA INŠTALÁCIU ELEKTRICKEJ ŠKATUĽKY

Viacúčelové náradie možno použiť na vyrezanie otvoru do sadrokartónovej steny na inštaláciu elektrickej škatuľky.

1. Nasadíte na náradie polkruhový pílový list na drevo a sadrokartón (Obr. 2)

 **POZNÁMKA:** List by mal byť vycentrovaný na kryte náradia a NIE nasadený pod uhlom 90°.

2. Položte škatuľku na sadrokartónovú stenu a mäkkou ceruzkou vyznačte na sadrokartónovej stene požadovaný obdĺžnikový otvor (1) (Obr. 9)



obr. 9

3. Umiestnite rohový rezacieho listu (2) tesne k sadrokartónovej stene v strede jednej z línií rezu

4. Nastavte najvyššie otáčky a zapnite náradie (Obr. 5 a 6)


5. Keď náradie dosiahne maximálne otáčky, opatrne zádajte listom do sadrokartónovej steny až do úplného prerezania. Dokončite rez až do rohu obdĺžnika.

 **POZNÁMKA:** Držte náradie pevne a pri rezaní nevyvíjajte na rezačí list prílišný tlak.

6. Vypnite pílu, vyberte ju z rezu a pokračujte v rezaní opačným smerom a dokončite rez na prvej strane obdĺžnika.

7. Opakujte kroky č. 4, 5, 6 a vyrežte zvyšné tri strany obdĺžnika.

8. Keď sú všetky rezy hotové, použite plochý skrutkovač a opatrne vypáčte výrezok zo sadrokartónovej steny.

 **POZNÁMKA:** Na vypáčení výrezku z podlahy nepoužívajte pílový list. Došlo by k jeho zlomeniu. Ak sa výrezok nedá zo sadrokartónovej steny ľahko vypáčiť, presvedčte sa, či je každá línia rezu prerezaná až do samého rohu obdĺžnika.

5.7 POUŽITIE NÁSTAVCA NA JEMNÉ BRÚSENIE

1. Nasadíte na viacúčelové náradie prítláčnú dosku, ako ukazuje obr. 2
2. Nasadíte na prítláčnú dosku brusný papier, ako ukazuje obr. 3
3. Nastavíte regulátor otáčok v rozmedzí 4 až MAX, ako ukazuje obr. 6
4. Prepnete vypínač do polohy ZAPNUTÉ, ako ukazuje obr. 5

Toto náradie je určené na jemné brúsenie na malých povrchoch. Položte prítláčnú dosku brúsny papierom na súčasť, ktorá má byť brúsená. Nechajte náradie bežať, aby nedošlo k ryhovaniu povrchu. Pri brúsení drsných povrchov a odstraňovaní predchádzajúcich povrchových úprav použite hrubý brusný papier a nižšie otáčky. Ak chcete docieľiť hladší povrch, použite jemný brúsny papier a vyššie otáčky.

5.8 POUŽITIE ŠKRABÁKA

1. Nasadíte na viacúčelové náradie škrabák, ako ukazuje obr. 2, obr. 1 a 2
2. Nastavíte regulátor otáčok na 4 a prepnete vypínač do polohy ZAPNUTÉ, ako ukazuje obr. 5 a 6

Ak chcete použiť škrabák na škrabanie starých povrchových úprav alebo lepidla z opracovávaného dielu, položte spodnú stranu škrabáka naplocho na povrch opracovávaného dielu a potom nadvihnite zadnú časť náradia, čím bude náradie pod veľmi miernym uhlom oproti povrchu opracovávaného dielu. Škrabák pomaly zasúvajte do materiálu, ktorý má byť odstránený. Netlačte na náradie, pretože pomalá rýchlosť posuvu zaisťuje lepšie výsledky rezania a znižuje riziko vzniku rýh na opracovávanom diele. .

Ak chcete použiť škrabák na rezanie koberca, umiestnite pod koberec, kde má byť rez vykonaný, nepotrebnú podložku. Nastavte otáčky na MAX, natočte náradie tak, aby bol škrabák v pravom uhle (kolmo) ku kobercu a zasúvajte škrabák do koberca.

6. ÚDRŽBA

VŠEOBECNÉ POKYNY

⚠ UPOZORNENIE: Pri vykonávaní servisu používajte výhradne rovnaké náhradné diely. Pri použití akýchkoľvek iných dielov môže dôjsť k nebezpečenstvu úrazu alebo poškodeniu výrobku.

Pri čistení plastových častí nepoužívajte rozpúšťadlá. Plasty sú náchylné k poškodeniu rôznymi druhmi komerčných rozpúšťadiel a v dôsledku použitia týchto rozpúšťadiel by mohlo dôjsť k ich poškodeniu. Na odstránenie nečistôt, prachu, oleja, vazelíny, a pod. použite čistú handričku

⚠ UPOZORNENIE: Dbajte na to, aby sa plastové komponenty nedostali do kontaktu s brzdovou kvapalinou, benzínom, výrobkami na báze ropy, penetračnými olejmi, a pod. Tieto produkty obsahujú chemikálie, ktoré poškodzujú, zoslabujú alebo ničia plasty.

Nepoužívajte elektrické náradie nesprávnym či nevhodným spôsobom. Používanie náradia nesprávnym či nevhodným spôsobom môže poškodiť náradie aj opracovávaný diel.

⚠ UPOZORNENIE: Nepokúšajte sa vykonávať úpravy náradia alebo vyrábať k nemu príslušenstvo. Akékoľvek takéto zmeny či úpravy sú zneužitím a mohli by vyvolať nebezpečný stav náradia a viesť k prípadnému vážnemu úrazu. V ich dôsledku zaniká tiež záruka.

MAZANIE

Všetky ložiská v tomto náradí sú namazané dostatočným množstvom maziva vysokej kvality na celú životnosť zariadenia za normálnych podmienok. Z toho dôvodu nie je nutné vykonávať mazanie.

7. TECHNICKÉ ÚDAJE

MULTIFUNKČNÉ NÁRADIE	
Sieťové napätie:	230 V/50 Hz
Príkonnosť:	300 W
Otáčková rýchlosť	15000 – 22000 ot./min
Trieda ochrany	II
Dĺžka napájacieho kábla	1,8 m
Hladina akustického výkonu	100.2 dB(A)
Vibreácie:	$a_h = 4,464 \text{ ms}^{-2}$, $K = 1,5 \text{ ms}^{-2}$

8. LIKVIDÁCIA

POKYNY A INFORMÁCIE O ZAOBCHÁDZANÍ S POUŽITÝM OBALOM

Použitý obalový materiál odložte na miesto určené obcou na ukladanie odpadu.

LIKVIDÁCIA POUŽITÝCH ELEKTRICKÝCH A ELEKTRONICKÝCH ZARIADENÍ



Tento symbol na produktoch alebo v sprievodných dokumentoch znamená, že použité elektrické a elektronické výrobky sa nesmú pridávať do bežného komunálneho odpadu. Na správnu likvidáciu, obnovu a recykláciu odovzdajte tieto výrobky na určené zberné miesta. V niektorých krajinách Európskej únie alebo iných európskych krajinách môžete vrátiť svoje výrobky miestnemu predajcovi pri kúpe ekvivalentného nového produktu. Správnu likvidáciu tohto produktu pomôžete zachovať cenné prírodné zdroje a napomáhate prevencii potenciálnych negatívnych dopadov na životné prostredie a ľudské zdravie, čo by mohlo byť dôsledkom nesprávnej likvidácie odpadov. Ďalšie podrobnosti si vyžiadajte od miestneho úradu alebo najbližšieho zberného miesta. Pri nesprávnej likvidácii tohto druhu odpadu môžu byť v súlade s národnými predpismi udelené pokuty.

PRE PODNIKOVÉ SUBJEKTY V KRAJINÁCH EURÓPSKEJ ÚNIE

Ak chcete likvidovať elektrické a elektronické zariadenia, vyžiadajte si potrebné informácie od svojho predajcu alebo dodávateľa.

LIKVIDÁCIA V OSTATNÝCH KRAJINÁCH MIMO EURÓPSKEJ ÚNIE



Tento symbol je platný v Európskej únii. Ak chcete tento výrobok zlikvidovať, vyžiadajte si potrebné informácie o správnom spôsobe likvidácie od miestnych úradov alebo od svojho predajcu.

Tento výrobok spĺňa všetky základné požiadavky smerníc EÚ, ktoré sa naň vzťahujú.

Zmeny v texte, dizajne a technických špecifikáciách sa môžu meniť bez predchádzajúceho upozornenia a vyhradzuje si právo na ich zmenu.

Multifunkciós Szerszám

HASZNÁLATI ÚTMUTATÓ

Köszönjük, hogy cégünk multifunkciós szerszám megvásárlása mellett döntött. Mielőtt használatba venné, kérjük, olvassa el figyelmesen ezt a használati útmutatót, majd őrizze meg, hogy később bármikor újraolvashassa.

TARTALOM

1. ÁLTALÁNOSBIZTONSÁGIELŐÍRÁSOK	64
2. SZIMBÓLUMOK	69
3. ÁLTALÁNOS LEÍRÁS	70
4. TARTOZÉKOK	70
5. ÖSSZESZERELÉS ÉS KEZELÉS	71
6. KARBANTARTÁS	80
7. TECHNIKAI ADATOK	81
8. MEGSEMMISÍTÉ	82

1. ÁLTALÁNOS BIZTONSÁGI ELŐÍRÁSOK

▲ FIGYELEM! Használat előtt olvassa el figyelmesen a használati útmutatót.

Fontos biztonsági figyelmeztetések

- ✿ Figyelmesen csomagolja ki a terméket, és ügyeljen arra, hogy ne dobja ki a csomagolás semelyik részét mindaddig, amíg meg nem találta a termék valamennyi alkotóelemét..
- ✿ A terméket száraz helyen, gyermekektől távol tartsa.
- ✿ Olvassa el az összes figyelmeztetést és utasítást. A figyelmeztetések be nem tartás áramütéshez, tűzhöz és/vagy súlyos sérülésekhez vezethet.

Csomagolás

A csomagolóanyag szállítás közben óvja a terméket. Ez a csomagolás nyersanyag, ezért újrahasznosítás céljával leadható.

Használati útmutató

Mielőtt megkezdéné a munkavégzést a készülékkel, olvassa el figyelmesen a következő biztonsági és használati utasításokat. Ismerkedjen meg a gép kezelőszerveivel, és a helyes használat szabályaival. A használati útmutató őrizze meg egy esetleges későbbi újraolvasáshoz. A csomagolóanyagot, beleértve a belső csomagolóanyagot, a pénztárblokkot és a jótállási jegyet is, ajánlott legalább a jótállás érvényessége alatt megőrizni. Szállítás esetén csomagolja vissza a készüléket a gyártótól kapott eredeti dobozba, így biztosíthatja a termék esetleges szállítás közbeni maximális védelmét (pl. költözés vagy szervizbe küldés).



Megjegyzés: Amennyiben a készüléket más személyeknek kívánja átadni, mellékelje a használati útmutatót is. A mellékelt használati útmutató betartása a sövénynyíró előírásszerű használatának előfeltétele. A használati útmutató egyben használati, kezelési és javítási utasításokat is tartalmaz.

A gyártó nem felel a jelen használati útmutató be nem tartása következtében felmerült sérülésekért vagy károkért.

A biztonsági útmutatót figyelmesen tanulmányozza át, majd a későbbi újraolvasás érdekében őrizze meg

⚠ FIGYELEM! Elektromos gépek és elektromos szerszámok használata estén áramütés, személyi sérülés és tűz keletkezésének elkerülése érdekében tartsa be az alábbi biztonsági rendelkezéseket. Az „elektromos szerszámok” kifejezés alatt minden alábbi szövegrész esetében elektromos hálózatról (csatlakozókábellel) táplált, illetve akkumulátoros (csatlakozókábel nélküli) elektromos szerszámok értendők. A későbbi újraolvasás érdekében őrizze meg az összes figyelmeztetést és utasítást.

Munkakörnyezet

- ✿ Tartsa rendben, tisztán és megfelelően megvilágítottan a munkavégzés helyszínét. A munkahelyi rendetlenség személyi sérüléshez vezethet. A nem használt szerszámokat rakja el.
- ✿ Ne használja az elektromos szerszámot tűz- és robbanásveszélyes közegben, azaz tűzveszélyes folyadékok, gázok vagy por közelében. Az elektromos szerszámokban a kommutátoron szikrázás jöhet létre, amely a porok vagy gőzök begyulladását okozhatja.
- ✿ Az elektromos szerszámok használata során ügyeljen arra, hogy a munkavégzési helyszínen és annak közelében ne tartózkodjanak hivatlan személyek, különösen gyermekek! Ha a munkájában megzavarják, könnyen elveszítheti a gép feletti ellenőrzését. Soha ne hagyja az elektromos szerszámot felügyelet nélkül. Előzze meg, hogy a szerszámhoz kisgyermekek férhessenek.

Elektromos biztonság

- ✿ Az elektromos szerszám csatlakozókábele villásdugójának meg kell felelnie a hálózati dugalj paramétereinek. Soha semmilyen módon ne alakítsa át a villásdugót. A védőcsapós villásdugóval rendelkező szerszámhoz soha ne használjon elektromos elosztót, se másmilyen adaptereket. Ép villásdugó és megfelelő dugalj használatával megelőzheti az áramütés veszélyét. A sérült vagy összegabalyodott csatlakozókábelek fokozzák az áramütés veszélyét. Ha a csatlakozókábel sérült, új hálózati csatlakozókábellel kell helyettesíteni, amelyet szakszervizből vagy az importőrtől szerezhet be.
- ✿ Kerülje az érintkezést földelt tárgyakkal, pl. csövekkel, fűtőtesttel, tűzhellyel, hűtővel. Az áramütés veszélye nagyobb, ha a teste földelt.
- ✿ Soha ne tegye ki az elektromos szerszámokat eső, víz, nedvesség hatásának. Soha ne érjen az elektromos szerszámhoz vizes kézzel. Az elektromos szerszámot soha nem mossa el folyóvízzel, és ne merítse vízbe.

- ✿ Soha ne használja a csatlakozókábel a rendeltetésétől eltérő célokra. Soha ne hordozza és ne rángassa az elektromos szerszámot a csatlakozókábelnél fogva. Soha ne próbálja a villásdugót a csatlakozókábelnél rángatva kihúzni a dugaljából. A csatlakozókábelek mechanikus megsérülésének megelőzése érdekében óvja a kábeleket az éles vagy forró tárgyaktól.
- ✿ Az elektromos szerszám kizárólag váltóárammal történő táplálásra alkalmas. Minden esetben ellenőrizze le, hogy a hálózati elektromos feszültség értékek megfelelnek a szerszám gyári adattábláján található paramétereknek.
- ✿ Soha ne dolgozzon olyan elektromos szerszámmal, amelynek sérül a csatlakozókábele vagy villásdugója, esetleg leesett a földre vagy más módon megsérült.
- ✿ Hosszabbító kábel használata esetén minden esetben ellenőrizze le, hogy annak műszaki paraméterei megfelelnek a szerszám gyári adattábláján található adatoknak. Ha az elektromos szerszámot kültérben kívánja használni, használjon hozzá kültéri használatra alkalmas hosszabbító kábelt. Hosszabbító kábel dob használata esetén a kábelt annak túlforrásodásának megelőzése érdekében le kell csévélni a dobról.
- ✿ Amennyiben az elektromos szerszámot nedves belső térben vagy kültérben kívánja használni, kizárólag abban az esetben használható, ha <30 mA-es áramvédelemmel ellátott elektromos áramkörhöz csatlakoztatja. Az áramvédelemmel /RCD/ ellátott elektromos áramkör használata csökkenti az áramütés veszélyét.
- ✿ Az elektromos kéziszerszámot minden esetben kizárólag a fogásra kijelölt, szigetelt pontokon fogja, mivel használat közben a vágó vagy fúró tartozékok rejtett vezetékkel vagy a szerszám csatlakozókábellel érintkezhet.



Személyi biztonság

- ✿ Az elektromos szerszám használata során legyen figyelmes és elővigyázatos, szenteljen maximális figyelmet a végzett tevékenységnek. Összpontosítson a munkára. Soha ne dolgozzon az elektromos szerszámmal ha fáradt, kábító hatású anyagok, alkohol vagy gyógyszerek hatása alatt áll. Egy pillanatnyi figyelmetlenség is súlyos személyi sérüléshez vezethet. Munkavégzés során ne egyen, ne igyon és ne dohányozzon.
- ✿ Használjon személyi munkavédelmi eszközöket. Minden esetben használjon munkaszemüveget. Használjon a végzett munka jellegének megfelelő védőeszközöket. A személyi védőeszközök - pl. arcpajzs, csúszásgátló kivetül munkacipő, sisak vagy fülvédő csökkentik a személyi sérülések kockázatát.
- ✿ Előzze meg a szerszám nemkívánatos bekapcsolását. Soha ne hordozza az elektromos hálózathoz csatlakoztatott szerszámot úgy, hogy közben az ujját a kapcsológombon tartja. Az elektromos hálózathoz csatlakoztatást megelőzően ellenőrizze le, hogy a főkapcsoló „kikapcsolt” állapotban található. Ha az elektromos szerszámot úgy hordozza, hogy közben az ujját a főkapcsolón tartja, vagy a szerszámot úgy csatlakoztatja az elektromos hálózathoz, hogy a főkapcsoló gomb közben bekapcsolt állású, súlyos személyi sérülés kockázatának teszi ki magát vagy a közelben tartózkodó személyeket.

- ✿ A szerszám bekapcsolása előtt távolítson el minden állítókulcsot és szerszámot. Az elektromos szerszám forgó részébe csatlakoztatott állítókulcs vagy szerszám súlyos személyi sérülést okozhat.
- ✿ Minden esetben ügyeljen a stabil testtartásra és egyensúlya megőrzésére. Kizárólag ott végezze a munkát, ahova biztonságosan elér. Soha ne becsülje túl magát. Ha fáradt, ne használja az elektromos szerszámot.
- ✿ Megfelelő munkaruhát viseljen. Kerülje a bő ruhadarabokat és az ékszereket. Ügyeljen arra, hogy a haja, öltözete vagy teste más részei ne kerüljenek túlságosan közel az elektromos szerszám forgó vagy túlforrósodott részeihez.
- ✿ Használjon porelszívót. Amennyiben az elektromos szerszám lehetővé teszi porelszívó berendezés használatát, biztosítsa annak megfelelő csatlakoztatását és használatát. E berendezések használata csökkenti a por okozta veszély mértékét.
- ✿ Fogja be fixen a munkadarabot. Használjon asztalos satut vagy más befogó eszközt, amely biztonságosan befogja a munkadarabot.
- ✿ Soha ne használja az elektromos szerszámot, ha szeszes italok, kábítószer, gyógyszerek vagy más kábító vagy függőséget okozó anyagok hatása alatt áll.
- ✿ A készülék nem alkalmas csökkentett fizikai, érzékszervi vagy mentális képességekkel rendelkező, továbbá megfelelő ismeretekkel és tapasztalatokkal nem rendelkező személyek, illetve gyermekek általi használatra, kivéve ha a felelősségükért közvetlen felelősséget viselő személy felügyelete alatt állnak, vagy attól a szerszám használatára vonatkozó utasítást nem kaptak. Gyermekek esetében folyamatos felügyelet biztosítása szükséges annak elkerülése érdekében, hogy ne játszanak a készülékkel.

Az elektromos szerszám használata és karbantartása

- ✿ A munkavégzés során felmerült bármilyen probléma esetében, tisztítás vagy karbantartás, továbbá minden áthelyez előtt, illetve munkavégzés után minden esetben húzza ki az elektromos szerszámot az elektromos hálózatról! Soha ne dolgozzon az elektromos szerszámmal, ha az bármilyen módon megsérült.
- ✿ Ha a szerszám szokatlan hangot vagy szagot ad ki, azonnal fejezze be a munkát.
- ✿ Soha ne terhelje túl az elektromos szerszámot. Az elektromos szerszám jobban és biztonságosabban dolgozik, ha az előírt paramétereknek megfelelő fordulatszámon üzemelteti. Az adott tevékenységnek megfelelő, helyes szerszámot használjon. A helyes szerszám jobban és biztonságosabban végzi a rendeltetésének megfelelő munkát.
- ✿ Soha ne használjon olyan elektromos szerszámot, amely nem kapcsolható be vagy ki biztonságosan a főkapcsolóval. Az ilyen szerszám használata veszélyes. A sérült, hibás kapcsoló javítását szakszervizre kell bízni.
- ✿ Húzza ki az elektromos szerszámot az elektromos hálózatról még azt megelőzően, hogy beállítaná, tartozékot cserélné benne, vagy karbantartási műveletet végezne rajta. Ez az intézkedés megakadályozza, hogy a szerszámot véletlenszerűen elindítsa.

- ✿ A nem használt elektromos szerszámot gyermekektől és hívatlan személyektől távol tárolja. Tapasztalatlan felhasználók kezében az elektromos szerszám használata fokozott kockázattal jár. Az elektromos szerszámot száraz és biztonságos helyen tárolja.
- ✿ Biztosítsa az elektromos szerszám megfelelő műszaki állapotát. Rendszeresen ellenőrizze a mozgó részek beállítását és azok mozgásterét. Ellenőrizze le, hogy a védőburkolatok vagy azok más részei nem sérültek-e. Ha a szerszám sérült, biztosítsa annak előírászerű megjavítását. Számos baleset oka a rosszul karbantartott elektromos szerszám.
- ✿ Tartsa élesen és tisztán a vágószerszámokat. A helyesen karbantartott és megélezett szerszámok megkönnyítik a munkavégzést, csökkentik a balesetveszélyt, és a velük folytatott munkavégzés könnyebben ellenőrizhető. A használati útmutatóban feltüntetett tartozékoktól eltérő tartozékok használata a szerszám megsérülését és balesetet okozhat.
- ✿ Az elektromos szerszámokat, azok tartozékait és a munkaeszközöket stb. a konkrét elektromos szerszám használati útmutatójával összhangban használja, figyelembe véve a konkrét munkavégzési feltételeket és a végzett munka jellegét. A szerszám más, mint előírászerű használata veszélyes helyzetek kialakulásához vezethet.

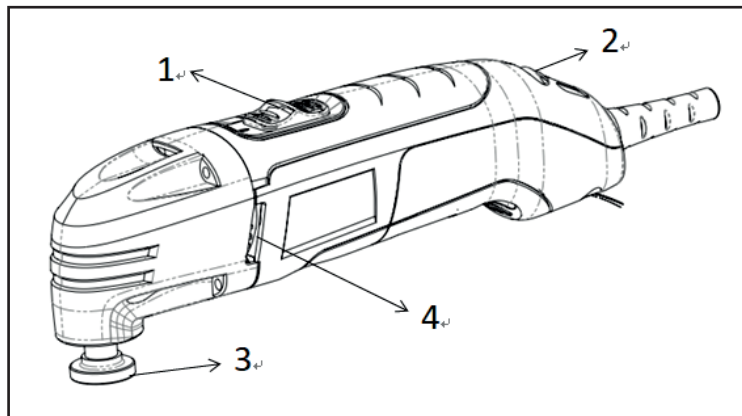
Szerviz

- ✿ Soha ne próbálja saját maga megjavítani a szerszámot, és ne avatkozzon be annak szerkezetébe. A szerszám javítását minden esetben bízza szakképzett személyre.
- ✿ A termék minden nem szakember által végzett javítása, módosítása tilos (személyi sérüléshez vagy anyagi kárhoz vezethet).
- ✿ Az elektromos szerszámot tanúsított szakszervizben javíttassa meg. Kizárólag eredeti vagy a gyártó által ajánlott pótalkatrészeket használjon. Kizárólag ily módon biztosítható a felhasználó és az elektromos szerszám biztonsága.

2. SZIMBÓLUMOK

	A gép a jóváhagyott szabványokkal összhangban került legyártásra.
	A gép használatba vétele előtt olvassa el a használati útmutatót.
	Dupla szigetelés.
	Használjon védőfelszerelést szem
	Használjunk védőfelszerelést fül
	Viseljen egy porvédőálarcot
	Ne dobja a szemétkbe

3. ÁLTALÁNOS LEÍRÁS



1. Kapcsoló
2. Fordulatszám szabályozó
3. Tartozéktartó
4. Szellőzőnyílások

4. TARTOZÉKOK

RENDELKEZÉSRE ÁLLÓ TARTOZÉKOK

⚠ FIGYELEM: Kizárólag a többfunkciós rezgőszerszámhoz ajánlott tartozékokat használjon. A tartozékokkal együtt a csomagolás részét képező használati útmutatóval összhangban járjon el. A nem megfelelő tartozékok használata a kezelőszemélyzet, valamint a szerszám megsérülését okozhatja.

Mindennemű tartozékhasználat előtt, kérjük, olvassa el figyelmesen az utasításokat és a tartozékok használatára vonatkozó előírásokat.

- ✿ Fűrészlapok
- ✿ Kaparók
- ✿ Csiszolópapír

⚠ FIGYELEM: Ha a készülék bármely része hiányzik vagy sérült, ne csatlakoztassa a szerszámot az elektromos hálózathoz és ne csatlakoztasson hozzá semmilyen tartozékot, amíg a hiányzó vagy sérült rész pótlásra nem kerül.

A CSOMAGOLÁS TARTALMA

- ✿ Többfunkciós rezgőszerszám ... 1 db
- ✿ Kaparó 1 db
- ✿ Fűrészlapok 1 db
- ✿ Alátét 1 db
- ✿ Csiszolópapír 3 db
- ✿ Imbuszkulcs 1 db

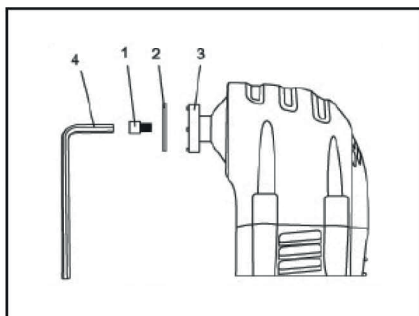
5. ÖSSZESZERELÉS ÉS KEZELÉS

5.1 A BETÉTSZERSZÁMOK FELSZERELÉSE

A többfunkciós rezgőszerszám valamennyi betétszerszámát azonos módon kell a gépre felhelyezni. A tartozékok gépre szerelését a többszegmenses fűrészlapon mutatjuk be.

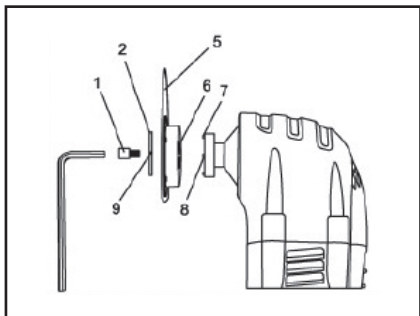
⚠ VESZÉLY! : A betétszerszámok vagy a csiszolópapír felhelyezése vagy eltávolítása előtt minden esetben húzza ki a készülék villásdugóját az elektromos hálózathoz. Ha ezt nem teszi meg, a szerszám véletlenszerűen bekapcsolhat, ami a kezelőszemélyzet súlyos személyi sérülését vonhatja maga után.

1. A csavar óramutatók járásával ellentétes irányú csavarásával távolítsa el a csavart (1) és az alátétet (2) a szerszámbefogó egységről (3). Ha a csavar túlságosan meg van húzva, az eltávolításához használja az 5 mm-es imbuszkulcsot (4) (1. kép)



kép. 1

2. Tegye fel a tárcsát (5) a szerszámbefogó egységre (2. kép)



kép. 2

MEGJEGYZÉSEK:

- ✿ Ügyeljen arra, hogy a tárcsa nyílásai (6) a szerszámbefogó egység csapjaira (7) illeszkedjenek, valamint hogy a tárcsa nyomtatott oldala a szerszám felé nézzen.
 - ✿ Szükség esetén a tárcsa a középtől balra vagy jobbra különböző szögek alatt helyezhető fel.
3. Csavarozza át a csavart (1) az alátét (2), valamint a tárcsát a szerszámbefogó egység menetes nyílásába (8)
 4. Az óramutatók járásával azonos irányba csavarja a csavart, és kézzel húzza meg.

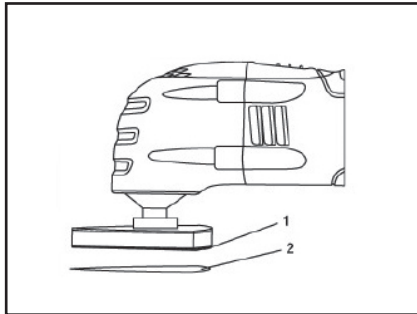
MEGJEGYZÉSEK: Ellenőrizze le, hogy az alátét (9) domborúan ívelő oldala a csavarfej felé néz. Ügyeljen arra, hogy az illeszkedő nyílások folyamatosan a szerszámbefogó egység csapjaira illeszkedjenek.

5. Húzza meg erősen a csavart az 5 mm-es imbuszkulcs segítségével.

MEGJEGYZÉS: Ügyeljen arra, hogy az illeszkedő nyílások folyamatosan a szerszámbefogó egység csapjaira illeszkedjenek.

5.2 CSISZOLÓPAPÍR FELSZERELÉSE

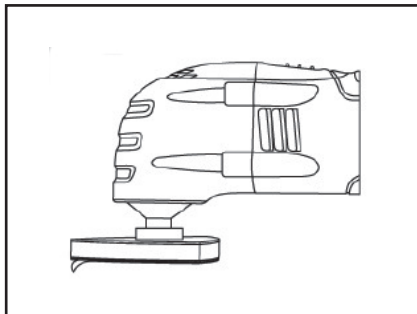
1. Helyezze fel a szerszámmra a tépőzárás csiszolótalpat (1) (3. kép)
2. Nyomja fel erősen a tépőzárás csiszolótalpra a csiszolópapírt (2)



kép. 3

MEGJEGYZÉSEK: A csiszolópapírt úgy helyezze fel, hogy a rajta található nyílások a tépőzárás csiszolótalp megfelelő nyílásaihoz illeszkedjenek. Nyomja fel erősen a tépőzárás csiszolótalpra a csiszolópapírt.

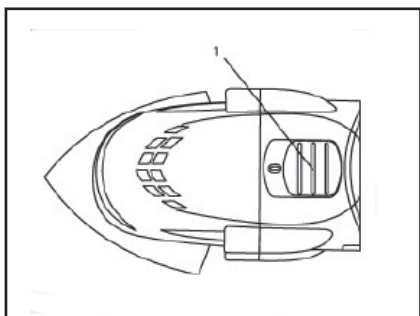
3. Ha le kívánja venni a csiszolópapírt, egyszerűen húzza le a tépőzárás csiszolótalpról (4. kép)



kép. 4

5.3 KAPCSOLÓ

- ☼ Ha be kívánja kapcsolni a szerszámot, tolja a kapcsolót (1) előre a szerszám elülső része felé (5. kép).
- ☼ Ha ki kívánja kapcsolni a szerszámot, tolja a kapcsolót (1) hátra a szerszám hátsó része felé (5. kép).

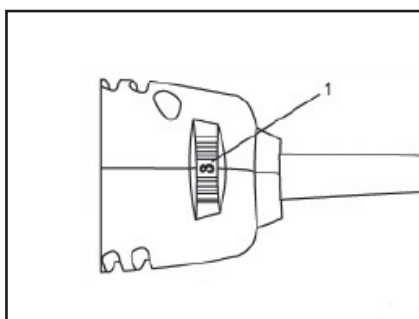


kép. 5

5.4 FORDULATSZÁM SZABÁLYOZÓ

A szerszám fordulatszáma a burkolat hátsó részében található fordulatszám szabályozó gomb (1) elforgatásával 10000 - 18000 ford./perc tartományban állítható be (6. kép)

- ☼ Ha fokozni kívánja a fordulatszámot, forgassa a fordulatszám szabályozó gombot a szerszám bal oldala felé.
- ☼ Ha csökkenteni kívánja a fordulatszámot, forgassa a fordulatszám szabályozó gombot a szerszám jobb oldala felé.



kép. 6

MEGJEGYZÉS: Az 1. sz. fordulatszám a legalacsonyabb. A MAX a legmagasabb fordulatszám. Az optimális fordulatszám az alkalmazott betétszerszámok, a megmunkálni kívánt felület és a projekt bonyolultságának függvényében különbözik. Az általános ajánlások a következő oldalon látható táblázatban olvashatók.

PROJEKT	BETÉTSZERSZÁM:	FORDULATSZÁM:
Gipszkarton	Többszegmenses fűrészlap	Maximális
Ablak felújítás	Többszegmenses fűrészlap	Közepes
Ajtófélfá	Fa tárcsa	Maximális
Ajtókeret	Fa tárcsa	Közepes / Maximális
Fa csapok	Fa tárcsa	Maximális
Padló szellőzőnyílás	Fa tárcsa	Közepes / Maximális
PVC cső	Fa tárcsa	Közepes
Ragasztott padlóburkolat	Kaparó	Közepes
Csiszolópapíros csiszolás	Kaparó	Közepes / Maximális

▲ FIGYELEM: Biztonsági okokból kifolyólag a szerszám kezelőszemélyzete köteles a használatba vétel előtt megismerkedni a jelen használati útmutató **ÁLTALÁNOS BIZTONSÁGI UTASÍTÁSOK, KÜLÖNLEGES BIZTONSÁGI UTASÍTÁSOK és JELZETEK c. fejezeteit.**

A többfunkciós rezgőszerszám minden használatakor ellenőrizze le a következőket:

- ✿ Védőszemüveg és arcpajzs használatának szükségessége.
- ✿ Fülvédő használatának szükségessége.
- ✿ A tárcsa vagy csiszolópapír megfelelő állapota.
- ✿ A betétszerszámok helyes rögzítése a szerszámbefogó egységbe.

E biztonsági szabályok be nem tartása jelentős mértékben csökkenti a balesetveszélyt.

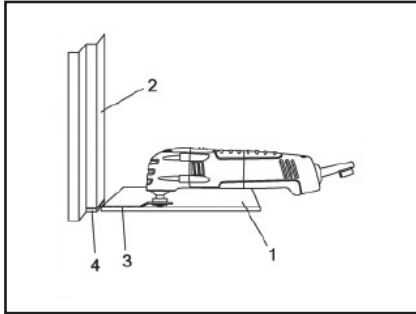
5.4 AJTÓFÉLFÁ ÉS AJTÓKERET VÁGÁSI SZINTEK PADLÓFEKTETÉSKOR

A többfunkciós szerszám alkalmazható az ajtófélfá és ajtókeret szintbe vágására a padlóburkoló anyag ajtófélfá és ajtókeret alatti új, szorosan illeszkedő fektetéséhez. A lépéssor szemléltetéséhez járólapot veszünk igénybe.

1. Fogja be a szerszámon a süllyeszthető fafűrész lapot (2. kép)

📖 MEGJEGYZÉS: A fűrészlapot ki kell központosítani a szerszám burkolatán, és NEM 90° alatt kell felhelyezni.

2. Helyezzen a padlóra egy darab törött padlólapot (1) megközelítőleg 1/2" (25 mm) távol az ajtófélfától (2) (7. kép)



kép. 7

MEGJEGYZÉS: Ügyeljen arra, hogy a járólap a „jó” oldalával felfelé nézzen, és így sima támasztófelületet nyújtson a fűrészlapnak.

- Helyezze a szerszámot a fűrészlappal (3) úgy, hogy enyhén érjen hozzá a járólap felületéhez, és a fűrészfogak NE ÉRJENEK hozzá a vágni kívánt felülethez.
- Állítsa be a gépen a legmagasabb fordulatszámot, majd kapcsolja be (5. és 6. kép)
- Amint a szerszám eléri a maximális fordulatszámot, óvatosan tolja a fűrészlapot az ajtófélfába, és ezzel egyidejűleg csúsztassa a járólapon.

MEGJEGYZÉS:

Tartsa fixen a szerszámot, és ne fejtse ki a fűrészlapra túlságosan nagy nyomást, mivel az a szerszám túlzott rezgéséhez vezethet.

- Végezzen el még néhány szúróvágást, amíg az ajtófélfá és ajtókeret alsó része teljesen le nem válnak és a levágott részek ki nem vehetők.

Azonosan járhat el ha szőnyeget kíván fektetni: használjon a szőnyeggel azonos vastagságú, kemény alátétet.

5.5 NYÍLÁS VÁGÁSA FAPADLÓBA FŰTÉS LÉGCSŐ TELEPÍTÉSÉHEZ

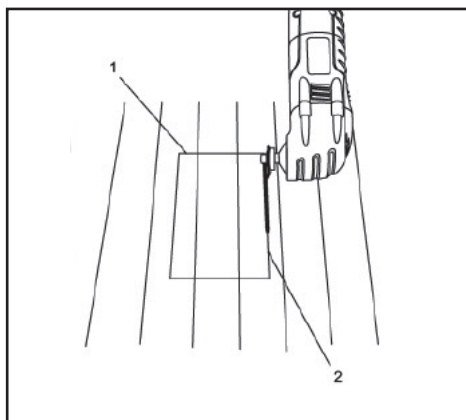
A többfunkciós rezgőszerszám megfelelő nyílás kivágásával fűtés légcső fapadlóba telepítéséhez is felhasználható.

- Fogja be a szerszámba a szúrófűrész lapot (2. kép).

MEGJEGYZÉS::

A fűrészlapot ki kell központosítani a szerszám burkolatán, és NEM 90° alatt kell felhelyezni.

- Helyezze a fűtés légcsőt a padlóra, és puha ceruzával jelölje be a padlón a kívánt négyzetes nyílást (1) (8. kép).



kép. 8

3. Helyezze a fűrészlapot (2) szorosan a padló fölé, a vágásvonalak egyikének középre.
4. A szerszámon közepes fordulatszámot állítson be, majd kapcsolja be (5. és 6. kép).

MEGJEGYZÉS:

A szerszámnak és a fűrészlapnak 45° fokos szöget kell a padlóval bezárnia, hogy a fűrészlap sarka elkapja a padlót.

5. Tartsa fixen a szerszámot, és közben lassan szúrja bele a padlóba a fűrészlap sarkát, amíg át nem vágja. Amint az átvágás sikerült, állítsa a szerszámot a legmagasabb fordulatszámra, és folytassa a vágást egészen a négyszög egyik sarkáig.
6. Kapcsolja ki a fűrészt, vegye ki a vágásból, majd folytassa ellenkező irányban a fűrészelést, amíg el nem éri a négyszög másik sarkát.
7. Ismétlje meg a 4, 5, 6. lépéseket, és vágja ki a négyszög fennmaradó három oldalát.
8. Amint minden vágással elkészült, vékony csavarhúzó segítségével óvatosan emelje ki a kivágott padlódarabot.

MEGJEGYZÉS:

A padlódarab kiemeléséhez soha **NE HASZNÁLJA** a fűrészlapot. Ellenkező esetben eltörhet. Ha a padlódarab kiemelése nem sikerül, ellenőrizze le, hogy minden vágás egészen a négyszög sarkáig fut.

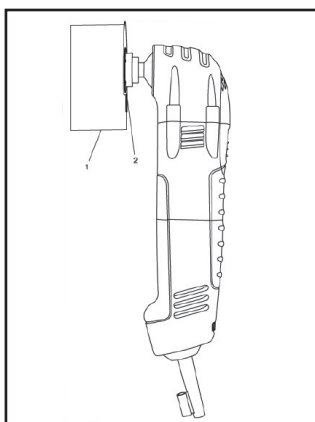
5.6 NYÍLÁSVÁGÁS GIPSZKARTON FALBA ELEKTROMOS DOBOZOK TELEPÍTÉSÉHEZ

A többfunkciós rezgőszerszám felhasználható gipszkarton falba végzett nyílásvágáshoz is, elektromos dobozok telepítéséhez.

1. Fogja be a szerszámba a fa és gipszkarton vágására alkalmas többszegmenses fűrészlapot (2. kép)

 **MEGJEGYZÉS:** A fűrészlapot ki kell központosítani a szerszám burkolatán, és NEM 90° alatt kell felhelyezni.

2. Helyezze a dobozt a gipszkarton falra, és puha ceruzával jelölje be a falon a kívánt négyszögletes nyílást (1) (9. kép)



kép. 9

3. Helyezze a fűrészlapot (2) szorosan a gipszkarton falhoz, a vágásvonalak egyikének közepére.

4. Állítsa be a legnagyobb fordulatszámot, majd kapcsolja be a szerszámot (5. és 6. kép)

5. Amint a szerszám eléri a maximális fordulatszámot, óvatosan vágjon bele a gipszkarton falba, majd vágja teljesen át. Folytassa a vágást egészen a négyszög sarkáig.

 **MEGJEGYZÉS:** Tartsa fixen a szerszámot, és ne fejtsen ki a fűrészlapra túlságosan nagy nyomást.

6. Kapcsolja ki a fűrészvet, vegye ki a vágásból, majd folytassa ellenkező irányban a fűrészélést, amíg el nem éri a négyszög másik sarkát.

7. Ismételje meg a 4, 5, 6. lépéseket, és vágja ki a négyszög fennmaradó három oldalát.

8. Amint minden vágással elkészült, vékony csavarhúzó segítségével óvatosan emelje ki a kivágott faldarabot.



MEGJEGYZÉS: A faldarab kiemeléséhez soha NE HASZNÁLJA a fűrészlapot. Ellenkező esetben eltörhet. Ha a faldarab kiemelése nem sikerül, ellenőrizze le, hogy minden vágás egészen a négyszög sarkáig fut.

5.7 FINOMCSISZOLÓ BETÉTSZERSZÁM HASZNÁLATA

1. Fogja be a többfunkciós rezgőszerszámon a csiszolótalpat a 2. képen látható módon.
2. Helyezze fel a csiszolótalpra a csiszolópapírt a 3. képen látható módon.
3. Állítsa be a fordulatszabályozó gombot 4 - MAX tartományban a 6. képen látható módon.
4. Állítsa a kapcsolót BEKAPCSOLT állásba az 5. képen látható módon.

A szerszám kis felületek finomcsiszolására szolgál. Helyezze a csiszolótalpat a csiszolni kívánt felületre. A felületnek képződő csíkok megelőzése érdekében hagyja bekapcsolva a szerszámot. Durva felületek csiszolásához és az előző felületkezelések eltávolításához használjon durva csiszolópapírt és alacsonyabb fordulatszámot. Ha simább felületet kíván elérni, használjon finomabb csiszolópapírt és magasabb fordulatszámot.

5.8 KAPARÓ BETÉTSZERSZÁM HASZNÁLATA

1. Fogja be a kaparó betétszerszámot a 2. képen látható módon, 1. és 2. kép
2. Állítsa a fordulatszám szabályozó gombot 4-es fokozatra, majd állítsa a kapcsolót KIKAPCSOLT állásba az 5. és 6. képen látható módon.

Ha a kaparót a megmunkált munkadarab régi felületkezeléseinek vagy ragasztórétegeinek eltávolítására kívánja használni, helyezze a kaparó alsó felületét laposan a munkadarab felületére, majd emelje fel a szerszám hátsó részét, aminek köszönhetően a szerszám a kis szöveget zár be a munkadarab felületével. Lassan csúsztassa be a kaparót az eltávolítani kívánt anyagba. Ne nyomja a szerszámot, mert a lassú haladás jobb eredményt biztosít, és segít megelőzni a csíkképződést a munkadarab felületén.

Ha a kaparót szőnyegvágásra kívánja igénybe venni, helyezzen a vágás helyén a szőnyeg alá alátétet. Állítsa a fordulatszámot MAX-ra, majd fordítsa el a szerszámot (merőlegesen) úgy, hogy a kaparó derékszöveget zárjon be a szőnyeggel, majd csúsztassa a kaparót a szőnyegbe.

6. KARBANTARTÁS

ÁLTALÁNOS UTASÍTÁSOK

⚠ FIGYELEM: Javításhoz kizárólag eredeti pótalkatrészeket vegyen igénybe. Bármilyen más alkatrészek alkalmazása esetén személyi sérülés vagy a készülék meghibásodásának veszélye áll fenn..

Műanyag alkatrészek tisztításakor ne használjon oldószereket. A műanyagok a különböző oldószerek hatására megsérülhetnek. A szennyeződések, por, olaj, zsír eltávolításához tiszta törlőrongyot használjon.

⚠ FIGYELEM: Ügyeljen arra, hogy a készülék műanyag részei ne érintkezzenek fékfolyadékkal, benzinnel, kőolaj alapú termékekkel, penetráló olajokkal stb. E termékek a műanyagokat károsító, gyönggítő vagy fönkretevéő vegyi anyagokat tartalmaznak.

Ne használja az elektromos szerszámot helytelen vagy alkalmatlan módon. Az elektromos szerszám helytelen vagy alkalmatlan használata a szerszám és a munkadarab megsérülését okozhatja.

⚠ FIGYELEM: Ne próbálja meg átalakítani a szerszámot, se tartozékokat készíteni hozzá. Mindennemű ilyen módosítás, átalakítás veszéllyel jár, és esetlegesen súlyos személyi sérüléshez vezethet, továbbá a jóállás elvesztésével jár..

KENÉS

A szerszám valamennyi csapággya standard körülmények között egész élettartamra szólóan elegendő, minőségi kenőanyaggal lett ellátva. Ez okból kifolyólag kenésre nincs szükség.

7. TECHNIKAI ADATOK

MULTIFUNKCIÓS SZERSZÁM:	
Feszültség	230 V/50 Hz
Fogyasztás	300 W
Üresjárat fordulatszám	15000 – 22000 ford./perc
Védőosztály	II
Csatlakozókábel hossza	1,8 m
Zajszint	100.2 dB(A)
Rezgések:	$a_h = 4,464 \text{ ms}^{-2}$, $K = 1,5 \text{ ms}^{-2}$

8. MEGSEMMISÍTÉS

A HASZNÁLT CSOMAGOLÓANYAG MEGSEMMISÍTÉSE

A készülék csomagolóanyagát az önkormányzat által kijelölt hulladéktelepen adja le.

AZ ELEKTROMOS ÉS ELEKTRONIKUS KÉSZÜLÉKEK MEGSEMMISÍTÉSE



Ez a termékeket vagy kísérődokumentumokban feltüntetett jelzés azt jelenti, hogy az elektromos és elektronikus készülékek élettartamuk lejártát követően nem semmisíthetők meg egyszerű kommunális hulladékként. A helyes megsemmisítés és újrahasznosítás érdekében e készülékeket az arra kijelölt gyűjtőhelyeken adja le. Az Európai Unió egyes országában, és néhány más európai országban a terméket azonos termék megvásárlása esetén leadhatja a készülék eladójának is. Az ilyen készülékek helyes megsemmisítésével Ön is hozzájárul az értékes természeti források megőrzéséhez, és segít kiküszöbölni a készülékek potenciálisan negatív kihatásait a környezetre és az emberi egészségre. Ezzel kapcsolatosan további részleteket a helyi önkormányzattól, vagy az Önhöz legközelebbi gyűjtőteleptől kérhet. Az ilyen jellegű hulladék helytelen megsemmisítése esetén a nemzeti törvényi szabályozással összhangban büntetés szabható ki.

AZ EURÓPAI UNIÓ VÁLLALATAI SZÁMÁRA

Amennyiben elektromos vagy elektronikus készülékeket kívánnak megsemmisíteni, ezzel kapcsolatosan kérjenek információkat a készülék forgalmazójától, vagy eladójától.

MEGSEMMISÍTÉS NEM EURÓPAI UNIÓS TAGÁLLAMOK ESETÉN



Ez a jelzet az Európai Unió területén érvényes. Amennyiben a terméket meg kívánja semmisíteni, ezzel kapcsolatosan kérjen információkat az illetékes helyi szervektől, vagy a készülék forgalmazójától

A készülék megfelel az EU iránylevek valamennyi reá vonatkozó alapvető követelményének.

A szöveg, formaterv és a műszaki paraméterek előzetes figyelmeztetés nélkül is változhatnak, a változtatások jogát fenntartjuk.

Narzędzie Wielofunkcyjne

INSTRUKCJA OBSŁUGI

Dziękujemy za dokonanie zakupu narzędzie wielofunkcyjne. Przed rozpoczęciem użytkowania należy dokładnie zapoznać się z treścią niniejszej instrukcji obsługi i zachować ją na przyszłość.

SPIS TREŚCI

1. OGÓLNE PRZEPISY BEZPIECZEŃSTWA	84
2. SYMBOLE	90
3. CHARAKTERYSTYKA OGÓLNA	91
4. WYPOSAŻENIE	91
5. MONTAŻ I OBSŁUGA	92
6. KONSERWACJA	101
7. DANE TECHNICZNE	101
8. LIKWIDACJA	102

1. OGÓLNE PRZEPISY BEZPIECZEŃSTWA

⚠ UWAGA! Przed użyciem należy uważnie przeczytać instrukcję użytkownika.

Ważne uwagi dotyczące bezpieczeństwa

- ✿ Produkt należy starannie rozpakować, należy zwrócić uwagę na wyjęcie z opakowania wszystkich części produktu.
- ✿ Produkt należy przechowywać w miejscu suchym, zabezpieczyć przed dostępem dzieci.
- ✿ Przeczytać wszelkie uwagi i instrukcje. Zaniedbania w stosunku do uwag i instrukcji mogą być powodem urazu, pożaru i/lub ciężkiego zranienia.

Opakowanie

Produkt jest zapakowany do opakowania chroniącego go przed uszkodzeniem w czasie transportu. Opakowanie jest surowcem wtórnym i należy poddać je recyklingowi.

Instrukcja obsługi

Przed rozpoczęciem korzystania z urządzenia należy zapoznać się z poniższymi przepisami bezpieczeństwa i instrukcją obsługi. Należy zapoznać się z elementami obsługi i właściwym korzystaniem z urządzenia. Instrukcje należy przechowywać w celu późniejszego z niej korzystania. Przez okres trwania gwarancji zaleca się przechowanie oryginalnego opakowania wraz z materiałami opakunkowymi, dokument zakupu i kartę gwarancyjną. Przechowanie opakowania ułatwi w przyszłości ewentualny transport urządzenia (przeprowadzka, odesłanie do naprawy).

📖 Uwaga: Jeżeli nastąpi przekazanie urządzenia innym użytkownikom, należy przekazać również instrukcję obsługi. Stosowanie się do zaleceń zawartych w instrukcji zapewni właściwe użytkowanie urządzenia. Instrukcja obsługi zawiera również instrukcję konserwacji urządzenia i napraw.

Producent nie ponosi odpowiedzialności za wypadki lub szkody powstałe w wyniku nie stosowania się do niniejszej instrukcji obsługi.

OGÓLNE UWAGI DOTYCZĄCE BEZPIECZEŃSTWA

Należy zapoznać się z niniejszymi uwagami dotyczącymi bezpieczeństwa, zapamiętać je i przechowywać

⚠ UWAGA! Podczas użytkowania maszyn i narzędzi elektrycznych należy stosować się do poniższych uwag w celu uniknięcia porażenia prądem elektrycznym, zranienia i niebezpieczeństwa wywołania pożaru. Pod pojęciem „narzędzia elektryczne” dla celów poniżej zamieszczonych uwag rozumie się narzędzie elektryczne zasilane z instalacji elektrycznej (przewód zasilający) jak również narzędzie zasilane z akumulatora (bez przewodu zasilającego). Należy przechować wszystkie ostrzeżenia i zalecenia w celu wykorzystania w przyszłości.

Środowisko pracy

- ✿ Stanowisko pracy należy utrzymywać w czystości i dbać o prawidłowe oświetlenie. Bałagan i miejsca nie doświetlone na stanowisku pracy bywają przyczyną wypadków. Należy uprzątnąć narzędzia w danej chwili nie używane.
- ✿ Nie używać narzędzi elektrycznych w środowisku zagrożonym pożarem lub wybuchem, tzn. tam gdzie występują ciecz palna, gazy lub zapylenie. W narzędziu elektrycznym powstaje iskrzenie na komutatorze, mogące powodować zapalenie oparów lub pyłu.
- ✿ Przy użytkowaniu narzędzia elektrycznego nie dopuszczać do stanowiska pracy osób postronnych i dzieci! Przeszkadzanie w pracy może spowodować utratę kontroli nad wykonywaną czynnością. Nigdy nie należy pozostawiać narzędzi elektrycznych bez nadzoru. Nie dopuszczać zwierząt w pobliżu urządzeń.

Bezpieczeństwo użytkowania urządzeń elektrycznych

- ✿ Wtyczka przewodu zasilania musi być zgodna z gniazdkiem sieciowym. Nigdy nie należy naprawiać wtyczki. Narzędzia zaopatrzonego we wtyczkę wyposażoną w kontakt ochronny nie należy przyłączać do zasilania używając trójnika lub innego adaptera. Nieuszkodzone wtyczki i odpowiednie gniazdka sieciowe zapobiegają porażeniu prądem elektrycznym. Uszkodzone lub splątane przewody zasilające zwiększają zagrożenie porażenia prądem elektrycznym. Jeżeli przewód zasilający jest uszkodzony, należy wymienić go na nieuszkodzony, który można zakupić w autoryzowanym zakładzie naprawczym lub u importera.
- ✿ Wystrzegać się w czasie pracy dotykania przedmiotów uziemionych, jak np. instalacja wodociągowa, grzejniki, kuchenki elektryczne i lodówki. Niebezpieczeństwo porażenia prądem elektrycznym jest większe, jeżeli występuje bezpośredni kontakt z ziemią.

- ✿ Nie narażać narzędzi elektrycznych na bezpośredni kontakt z deszczem, wilgocią. Nie wolno dotykać narzędzi elektrycznych mokrymi rękoma. Nie należy myć narzędzi elektrycznych pod bieżącą wodą ani zanurzać ich we wodzie.
- ✿ Nie używać przewodu zasilającego do celów innych, niż wynika to z jego przeznaczenia. Nigdy nie należy przenosić i ciągnąć urządzeń elektrycznych za przewód zasilający. Nie wyłączać wtyczki pociągając za przewód. Chronić przewody zasilające przed uszkodzeniem mechanicznym spowodowanym przez ostre lub gorące przedmioty.
- ✿ Narzędzie elektryczne jest przystosowane wyłącznie do zasilania prądem elektrycznym zmiennym. Zawsze należy sprawdzić, czy napięcie elektryczne odpowiada wartości zamieszczonej na tabliczce znamionowej narzędzia.
- ✿ Nigdy nie należy używać narzędzia z uszkodzonym przewodem zasilania lub wtyczką, które spadło na podłogę i jest w jakimś stopniu uszkodzone.
- ✿ W przypadku używania przedłużacza należy sprawdzić, czy jego parametry techniczne odpowiadają danym umieszczonym na tabliczce znamionowej narzędzia. Jeżeli narzędzie elektryczne używane jest poza pomieszczeniem zadaszonym, należy stosować przedłużacz odpowiedni do użytkowania poza pomieszczeniami zadaszonymi. W razie stosowania przedłużaczy nawiniętych na bęben, konieczne jest ich rozwinięcie, aby nie dopuścić do przegrzania przewodu.
- ✿ Jeżeli narzędzie elektryczne jest użytkowane w dużych pomieszczeniach lub na zewnątrz budynku, dozwolone jest jego użytkowanie, jeżeli jest podłączone do instalacji wyposażonej w wyłącznik różnicowoprądowy/RCD/ <math>< 30 \text{ mA}</math>. Korzystanie z instalacji wyposażonej w wyłącznik różnicowoprądowy /RCD/ zmniejsza ryzyko porażenia prądem elektrycznym.
- ✿ Ręczne narzędzia elektryczne należy chwycić wyłącznie za izolowane uchwyty, dlatego że podczas pracy może nastąpić kontakt urządzenia tnącego lub wierzącego z ukrytym przewodem elektrycznym lub z przewodem zasilającym narzędzie.

Bezpieczeństwo osób

- ✿ Podczas użytkowania narzędzia elektrycznego należy zachować maksymalną ostrożność i uwagę przy wykonywaniu danej czynności. Należy skoncentrować się na wykonywanej pracy. Nie należy wykonywać prac z użyciem narzędzia elektrycznego w stanie zmęczenia, będąc pod wpływem narkotyków, alkoholu lub leków. Nawet chwilowa nieuwaga może spowodować wypadek. Podczas pracy z użyciem narzędzia elektrycznego nie należy jeść, pić, palić.
- ✿ Należy stosować środki ochrony osobistej. Zawsze należy stosować ochronę oczu. Stosować środki ochrony osobistej odpowiednie dla danego rodzaju prac. Środki ochrony takie jak np. maseczka oddechowa, obuwie o podeszwie antypoślizgowej, przykrycie głowy lub ochronniki słuchu używane stosownie do warunków wykonywanej pracy obniżają ryzyko spowodowania wypadku.

- ✿ Należy wystrzegać się przypadkowego włączenia narzędzia. Nie przemieszczać narzędzia podłączonego do sieci elektrycznej, z palcem na włączniku. Przed podłączeniem narzędzia do sieci należy sprawdzić, czy włącznik jest w położeniu „wyłączony”. Przemieszczanie narzędzia z palcem na włączniku lub włączanie do gniazdka sieciowego z załączonym włącznikiem może być przyczyną wypadku.
- ✿ Przed włączeniem narzędzia należy usunąć wszystkie klucze i przyrządy użyte do regulacji. Klucz do regulacji lub przyrząd, pozostawiony w obracającej się części narzędzia elektrycznego może być przyczyną wypadku.
- ✿ Przy pracy należy zajmować stabilną pozycję i równowagę. Pracować tylko w bezpiecznym zasięgu. Nigdy nie należy przeceniać własnych możliwości. Nie używać narzędzi elektrycznych będąc zmęczonym.
- ✿ Należy stosować odpowiedni ubiór. Stosować ubranie robocze. Nie zakładać luźnych ubrań ani nie zakładać biżuterii. Uważać, aby włosy, odzież, rękawice nie znalazły się w zasięgu obracających się lub rozgrzanych elementów narzędzia elektrycznego.
- ✿ Podłączyć urządzenie do odsysania pyłu. Jeżeli narzędzie posiada opcję podłączenia do urządzenia do wychwytywania lub odsysania pyłu, należy je prawidłowo podłączyć i używać. Stosowanie takiego urządzenia może ograniczyć zagrożenia powodowany przez powstający w trakcie pracy pył.
- ✿ Element obrabiany należy odpowiednio zamocować. Należy stosować ściski stolarskie lub imadło do mocowania obrabianego elementu.
- ✿ Nie pracować z narzędziem elektrycznym będąc pod wpływem alkoholu, narkotyków, leków lub substancji uzależniających.
- ✿ Urządzenie nie może być obsługiwane przez osoby (także dzieci) o obniżonych zdolnościach manualnych lub psychicznych lub nie posiadające odpowiedniego doświadczenia i umiejętności jeżeli nie pozostają pod bezpośrednim nadzorem lub, które nie zostały odpowiednio przeszkolone przez osoby odpowiedzialne za ich bezpieczeństwo. Konieczny jest nadzór zapobiegający dostępowi dzieci do narzędzi.

Użytkowanie narzędzia elektrycznego i jego konserwacja



- ✿ W razie wystąpienia problemów w pracy narzędzia należy odłączyć je od zasilania elektrycznego, tak samo należy postąpić przed przystąpieniem do czyszczenia lub konserwacji, przy każdym przemieszczaniu narzędzia i po zakończeniu pracy! Nigdy nie wolno używać do pracy narzędzia uszkodzonego.
- ✿ Jeżeli narzędzie zacznie emitować nienormalny dźwięk lub zapach, natychmiast należy przerwać pracę.
- ✿ Nie należy przeciążać narzędzia elektrycznego. Narzędzie elektryczne będzie pracować wydajniej i bezpieczniej, jeżeli będzie eksploatowane na obrotach, dla których zostało zaprojektowane. Zawsze należy używać narzędzie sprawne, przeznaczone do wykonywania danej pracy. Odpowiednie narzędzie będzie lepiej i bezpieczniej wykonywać pracę dla wykonywania której zostało zbudowane.

- ✿ Nie użytkować narzędzia elektrycznego, którego nie można bezpiecznie włączyć i wyłączyć używając zainstalowanego włącznika. Użytkowanie takiego narzędzia jest niebezpieczne. Uszkodzony włącznik musi być naprawiony przez autoryzowany zakład naprawczy.
- ✿ Narzędzie należy odłączyć od zasilania zanim przystąpi się do jego regulacji, wymiany oprzyrządowania lub konserwacji. Będzie to przeciwdziałać przypadkowemu uruchomieniu.
- ✿ Nie użytkowane narzędzia elektryczne należy uprzątnąć i schować je poza zasięgiem dostępu dzieci i osób niepowołanych. Narzędzie elektryczne w niedoświadczonych rękach może być niebezpieczne. Narzędzia elektryczne należy przechowywać w suchym i zabezpieczonym miejscu.
- ✿ Narzędzia elektryczne należy utrzymywać w dobrym stanie. Regularnie należy sprawdzać ustawienie części ruchomych i ich ruchomość. Sprawdzać, czy nie doszło do uszkodzenia osłon lub innych elementów, co może wpływać na bezpieczeństwo użytkowania narzędzia. Jeżeli narzędzie jest uszkodzone, przed kolejnym użytkowaniem należy spowodować jego naprawę. Wiele wypadków jest spowodowanych z powodu niewłaściwego stanu narzędzia.
- ✿ Przyrządy przeznaczone do cięcia muszą być ostre i czyste. Prawidłowo zadbane i naostrzone narzędzia ułatwiają wykonywanie pracy, przeciwdziałają wypadkom i praca z użyciem takich przyrządów jest łatwa w kontrolowaniu wykonywanej czynności. Zastosowanie innego oprzyrządowania, niż wymienione w instrukcji obsługi może spowodować uszkodzenie narzędzia i stanowić przyczynę wypadku.
- ✿ Narzędzia elektryczne ich oprzyrządowanie, przyrządy robocze należy stosownie z niniejszymi zaleceniami i w sposób przewidziany dla danego narzędzia elektrycznego, biorąc pod uwagę warunki wykonywanej pracy i jej rodzaj. Używanie narzędzia do innych celów może powodować powstanie zagrożenia.

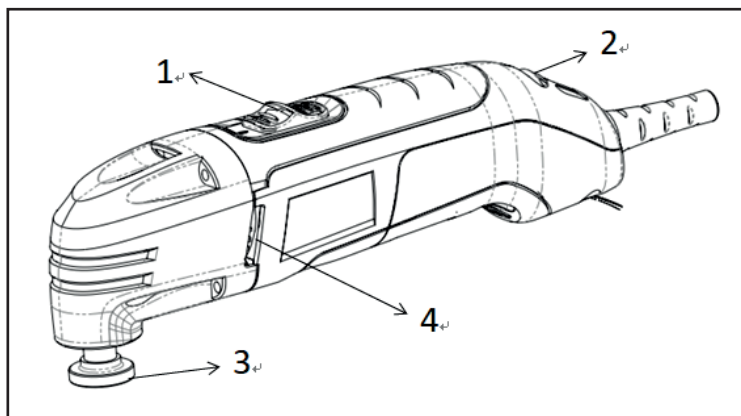
Serwis

- ✿ Samowolnie nie można wykonywać wymiany części, napraw i ingerować w budowę narzędzia. Naprawy należy powierzyć wykwalifikowanym pracownikom.
- ✿ Każda samowolna naprawa lub zmiana w budowie narzędzia jest niedopuszczalna bez zgody naszej firmy (w wyniku może nastąpić wypadek).
- ✿ Narzędzia elektryczne należy naprawiać w autoryzowanym zakładzie naprawczym. Należy stosować oryginalne lub zalecane części zamienne. Zapewnia to bezpieczeństwo użytkownika i narzędzia.

2. SYMBOLE

	Niniejszy produkt został wyprodukowany zgodnie z obowiązującymi normami.
	Przed uruchomieniem urządzenia należy dokładnie zapoznać się z instrukcją obsługi.
	Podwójna izolacja.
	Sprzęt ochronny dla oczu
	Sprzęt ochronny dla uszu
	Używać ochronnej maski przeciwpyłowej
	Nie wyrzucać

3. CHARAKTERYSTYKA OGÓLNA



1. Wyłącznik
2. Regulator obrotów
3. Uchwyt mocowania osprzętu
4. Otwory wentylacyjne

4. WYPOSAŻENIE

DOSTĘPNY OSPRZĘT

⚠ OSTRZEŻENIE: Należy używać tylko akcesoriów przeznaczonych dla tego wielofunkcyjnego narzędzia. Stosować się do instrukcji załączonej do osprzętu. Stosowanie nieodpowiedniego osprzętu może spowodować wypadek lub uszkodzenie narzędzia. Przed użyciem dowolnego elementu wyposażenia należy dokładnie zapoznać się z zaleceniami lub instrukcją zastosowania wyposażenia.

- ✿ Tarcze do cięcia
- ✿ Skrobaki
- ✿ Papier ścierny

⚠ OSTRZEŻENIE: Jeżeli zostanie stwierdzony brak lub uszkodzenie dowolnego elementu, nie należy podłączać narzędzia do źródła zasilania, ani montować żadnego osprzętu, do chwili, aż brakujący lub uszkodzony element nie zostanie zastąpiony.

A CSOMAGOLÁS TARTALMA

- ✿ Narzędzie wielofunkcyjne 1 szt
- ✿ Skrobaki 1 szt
- ✿ Ostrza piły 1 szt
- ✿ Uchwyt na papier ścierny 1 szt
- ✿ Papier ścierny 3 szt
- ✿ Klucz imbusowy 1 szt

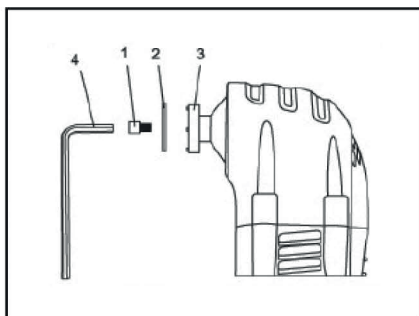
5. MONTAŻ I OBSŁUGA

5.1 MOCOWANIE OSPRĘTU

Wszelkie elementy stanowiące osprzęt są mocowane do narzędzia wielofunkcyjnego w podobny sposób. Dla celów opisu mocowania osprzętu użyjemy tarczy półkolistej

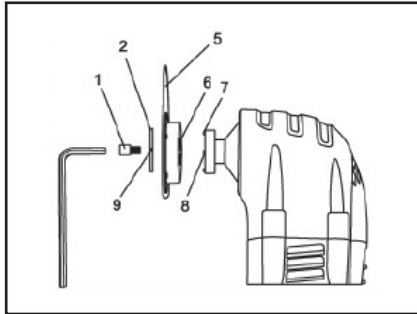
⚠ ZAGROŻENIE : Przed mocowaniem lub zdejmowaniem osprzętu lub papieru ściernego zawsze należy wyciągnąć wtyczkę z gniazda sieciowego. Jeżeli wtyczka nie zostanie odłączona od źródła zasilania może dojść do przypadkowego uruchomienia narzędzia i w efekcie do poważnego poranienia obsługującego.

1. Wykręcić śrubę (1) i zdjąć podkładkę (2) z uchwytu mocowania osprzętu (3) obracając śrubę w kierunku przeciwnym do ruchu wskazówek zegara. Należy do tego celu użyć 5 mm klucza imbusowego (4), jeżeli śruba jest zbyt mocno dokręcona i nie można wykręcić jej ręką (rys. 1)



rys. 1

- Umieścić tarczę (5) na uchwycie osprzętu (rys. 2)



rys. 2

UWAGI:

- Należy upewnić się, że otwory montażowe (6) w tarczy zostały umieszczone na czopach naprowadzających (7) znajdujących się w uchwycie osprzętu i aby zadrukowana powierzchnia tarczy była skierowana w stronę narzędzia.
 - Tarczę w razie konieczności można osadzić pod różnymi kątami w lewo lub w prawo od środka.
- Csavarozza át a csavart (1) az alátétet (2), valamint a tárcsát a szerszámbe fogó egység menetes nyílásába (8)
 - Az óramutatók járásával azonos irányba csavarja a csavart, és kézzel húzza meg.

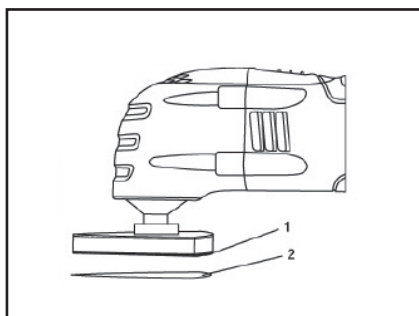
UWAGI: Sprawdzić, czy wklęsła powierzchnia podkładki (9) skierowana jest w stronę łba śruby. Należy zwracać uwagę, aby otwory montażowe przez cały czas były dociśnięte do gniazd czopów naprowadzających w uchwycie osprzętu.

- Dokręcić śrubę używając klucza imbusowego 5 mm.

UWAGA: Należy zwracać uwagę, aby otwory montażowe przez cały czas były dociśnięte do gniazd czopów naprowadzających w uchwycie osprzętu.

5.2 ZAKŁADANIE PAPIERU ŚCIERNEGO

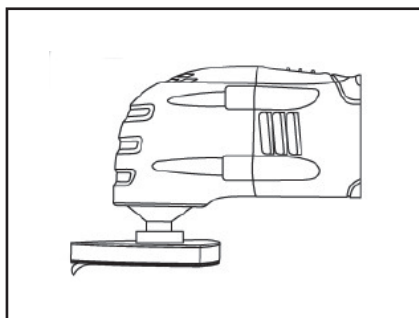
1. Zamontować na narzędziu tarczę dociskową (1) zaopatrzoną w rzep (rys. 3).
2. Do tarczy dociskowej zaopatrzonej w rzep docisnąć papier ścierny (2).



rys. 3

MEGJEGYZÉSEK: Papier ścierny należy umieścić tak, aby otwory w papierze ściernym pokrywały się z odpowiadającymi otworami w tarczy dociskowej zaopatrzonej w rzep. Na Do tarczy dociskowej zaopatrzonej w rzep docisnąć papier ścierny.

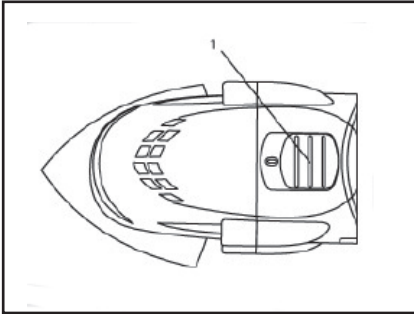
3. Przy zdejmowaniu papieru ściernego, należy zerwać go z tarczy dociskowej zaopatrzonej w rzep (rys. 4).



rys. 4

5.3 WYŁĄCZNIK

- ☼ Aby narzędzie włączyć należy przesunąć wyłącznik (1) w kierunku do przodu narzędzia (rys. 5).
- ☼ Aby narzędzie wyłączyć należy przesunąć wyłącznik w kierunku do tyłu narzędzia (rys. 5).

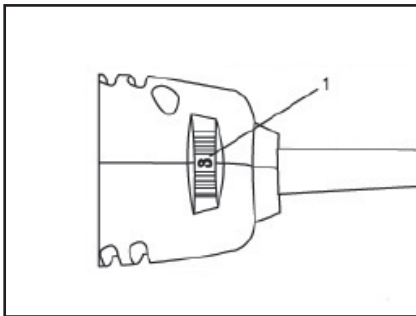


rys. 5

5.4 REGULATOR OBROTÓW

Obroty narzędzia można regulować w zakresie obrotów od 10000 do 18000 obr./min, przestawiając regulator obrotów (1) znajdujący się na tyle obudowy narzędzia (rys. 6).

- ☼ W celu zwiększenia obrotów, należy obracać regulator obrotów w kierunku do lewego boku narzędzia.
- ☼ W celu zmniejszenia obrotów, należy obracać regulator obrotów w kierunku do prawego boku narzędzia.



rys. 6

UWAGA: Obroty nr 1 są to najniższe obroty. MAX są to obroty najwyższe. Regulacja optymalnych obrotów jest uzależniona od typu użytego osprzętu, obrabianej powierzchni i stopnia skomplikowania wykonywanej obróbki. Zalecenia ogólne są zamieszczone w tabeli na kolejnej stronie.

PROJEKT	OSPRZĘT:	OBROTY:
Płyta gipsowo-kartonowa	Tarcza półkolistą	Maksymalne
Odnawianie okien	Tarcza półkolistą	Średnie
Obramienie drzwiowe	Tarcza do cięcia drewna	Maksymalne
Ościeżnica drzwiowa	Tarcza do cięcia drewna	Średnie / Maksymalne
Czopy drewniane	Tarcza do cięcia drewna	Maksymalne
Otwór wentylacyjny w podłodze	Tarcza do cięcia drewna	Średnie / Maksymalne
Rura PCW	Tarcza do cięcia drewna	Średnie
Klejona wykładzina podłogowa	Skrobak	Średnie
Szlifowanie papierem ściernym	Skrobak	Średnie / Maksymalne

⚠ OSTRZEŻENIE: Ze względów zachowania bezpieczeństwa przed przystąpieniem do użytkowania niniejszego narzędzia wielofunkcyjnego obsługa powinna zapoznać się z rozdziałami niniejszej instrukcji o nazwie **OGÓLNE ZASADY BEZPIECZEŃSTWA, SZCZEGÓLNE ZASADY BEZPIECZEŃSTWA I SYMBOLE.**

Przed każdorazowym użyciem narzędzia wielofunkcyjnego należy sprawdzić

- ✿ Czy są używane okulary ochronne lub maska na twarz.
- ✿ Czy są używane ochronniki słuchu.
- ✿ Czy tarcza lub papier ścierny jest w dobrym stanie.
- ✿ Czy osprzęt jest prawidłowo zamocowany do uchwytu osprzętu narzędzia.

Nie stosowanie się do powyższych zasad zachowania bezpieczeństwa znacząco zwiększa zagrożenie wypadkowe.

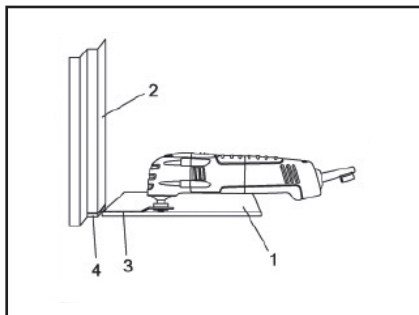
5.4 POZIOME PODCINANIE OBRAMIENIA DRZWIOWEGO I OŚCIEŻNICY DRZWIOWEJ DLA OSADZENIA PODŁOGI

Narzędzie wielofunkcyjne można użyć do poziomego podcinania obramienia drzwiowego i ościeżnicy drzwiowej dla dokładnego osadzenia podłogi pod obramienie drzwiowe i ościeżnicę. Dla zilustrowania procesu wykonawstwa użyjemy płytki podłogowej.

1. Osadzić w narzędziu tarczę do cięcia drewna (rys. 2)

📖 UWAGA : Tarcza powinna być wycentryowana do osłony narzędzia a NIGDY nie powinna być osadzona pod kątem 90°.

2. Położyć na podłodze kawałek płytki posadzkowej (1) około 1/2" (25 mm) od obramienia drzwiowego (2) (rys. 7)



rys. 7

UWAGA: Należy zadbać, aby płytką obrócona była „dobrą” stroną do góry i aby stanowiła dla tarczy gładką powierzchnię oporową.

3. Ustawić narzędzie z tarczą (3) w taki sposób, aby dotykało lekko powierzchni płytki i aby zęby tnące NIE DOTYKAŁY powierzchni ciętej.
4. Ustawić najwyższe obroty i włączyć narzędzie (rys. 5 i 6)
5. Po osiągnięciu obrotów maksymalnych ostrożnie wprowadzić tarczę do obramienia drzwi jednocześnie przesuwając narzędzie po płytce podłogow.

UWAGA: Należy trzymać narzędzie pewnym chwytem jednocześnie nie wywierając na tarczę tnącą zbyt dużego nacisku, mogłoby to spowodować zbyt duże drgania narzędzia.

6. Wykonać kilka cięć, które spowodują odcięcie dolnej części obramienia drzwi i ościeżnicy a odcięte kawałki należy wyjąć.

Podobnie należy postępować przy zakładaniu wykładziny dywanowej z zastosowaniem sztywnej podkładki o takiej samej grubości jaką ma zakładana wykładzina dywanowa.

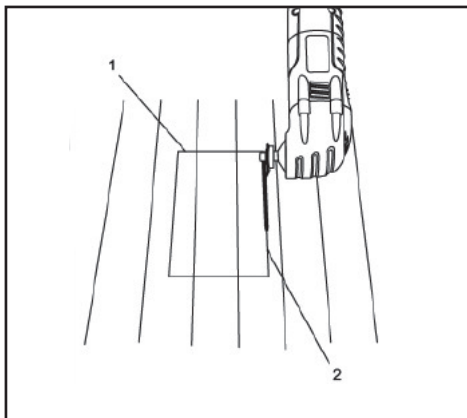
5.5 WYCINANIE W PODŁODZE DREWNIANEJ OTWORU DO ZAINSTALOWANIA KANAŁU POWIETRZNEGO OGRZEWANIA

Narzędzie wielofunkcyjne można użyć do wykonania otworu w podłodze drewnianej dla zainstalowania ramki kanału powietrznego ogrzewania.

1. Osadzić w narzędziu tarczę do cięcia drewna (rys. 2).

UWAGA: Tarcza powinna być wycentrowana do osłony narzędzia a NIGDY nie powinna być osadzona pod kątem 90°.

2. Położyć ramkę na podłodze i miękkim ołówkiem obrysować, wyznaczając na podłodze wymagany prostokątny obrys otworu (1) (rys. 8)



rys. 8

- Umieścić tarczę tnącą (2) bezpośrednio przy podłodze na środku jednej z linii cięcia.
- Ustawić średnie obroty i włączyć narzędzie (rys. 5 i 6).

UWAGA: Narzędzie i tarcza tnąca powinna być ustawiona w stosunku do podłogi pod kątem 45°

- Należy trzymać narzędzie pewnym chwytem jednocześnie delikatnie dociskając do chwili dokonania cięcia na wylot przez podłogę. Po wykonaniu cięcia wprowadzającego należy ustawić najwyższe obroty narzędzia i dokończyć cięcie aż do prostokąta..
- Wyłączyć pilarkę wyjąc z razu i następnie kontynuować cięcie w kierunku odwrotnym do chwili zakończenia cięcia na pierwszym boku prostokąta.
- Powtarzać kroki nr 4, 5, 6 i dokonać cięć na pozostałych trzech bokach prostokąta.
- Po zakończeniu cięcia, należy używając płaskiego wkrętaka delikatnie usunąć wycięty element podłogi.

UWAGA: Do usunięcia wyciętego elementu nigdy **NIE UŻYWAĆ** tarczy tnącej. Spowodowałoby to jej złamanie. Jeżeli nie można łatwo wyjąć wyciętego elementu, należy sprawdzić, czy każda linia cięcia jest wykonana do samego rogu prostokąta.

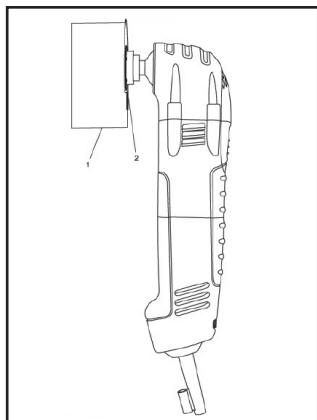
5.6 WYKONYWANIE WYCINANIA OTWORU W PŁYTCIE GIPSOWO-KARTONOWEJ W POD ZAINSTALOWANIE PUSZKI INSTALACJI ELEKTRYCZNEJ

Narzędzia wielofunkcyjnego można użyć do wycinania otworu w płycie gipsowo-kartonowej pod zainstalowanie puszki instalacji elektrycznej.

1. Zamontować na narzędziu półkolistą tarczę do cięcia drewna i płyt gipsowo-kartonowych (rys. 2)

UWAGA: Tarcza powinna być wycentrowana do osłony narzędzia a NIGDY nie powinna być osadzona pod kątem 90°

2. Przyłożyć puszkę do ściany i miękkim ołówkiem obrysować wymagany otwór o kształcie prostokąta (1) (rys. 9).




rys. 9

3. Umieścić krawędź tnącą tarczy (2) bezpośrednio przy ścianie na środku jednej z linii cięcia.
4. Ustawić najwyższe obroty i włączyć narzędzie (rys. 5 i 6)
5. Po osiągnięciu obrotów maksymalnych ostrożnie wprowadzić tarczę w ścianę z płyty gipsowo-kartonowej do chwili dokonania cięcia na wylot. Dokończyć cięcie aż do rogu prostokąta.

UWAGA: Należy trzymać narzędzie pewnym chwytem jednocześnie delikatnie dociskając.

6. Wyłączyć pilarkę wyjąć z rzazu i następnie kontynuować cięcie w kierunku odwrotnym do chwili zakończenia cięcia na pierwszym boku prostokąta.
7. Powtarzać kroki nr 4, 5, 6 i dokonać cięć na pozostałych trzech bokach prostokąta.
8. Po zakończeniu cięcia, należy używając płaskiego wkrętaka delikatnie usunąć wycięty element..

 **UWAGA:** Do usunięcia wyciętego elementu nigdy NIE UŻYWAĆ tarczy tnącej. Spowodowałoby to jej złamanie. Jeżeli nie można łatwo wyjąć wyciętego elementu, należy sprawdzić, czy każda linia cięcia jest wykonana do samego rogu prostokąta.

5.7 UŻYCIE NASADKI DO SZLIFOWANIA

1. Nasadzić na narzędzie wielofunkcyjne tarczę dociskową w sposób pokazany na rys. 2
2. Założyć na tarczę dociskową papier ścierny w sposób pokazany na rys. 3
3. Ustawić regulator obrotów w przedziale 4 do MAX w sposób pokazany na rys. 6
4. Przełączyć wyłącznik w pozycję WŁĄCZONE w sposób pokazany na rys. 5.

Narzędzie to jest przeznaczone do delikatnego szlifowania małych powierzchni. Położyć tarczę dociskową z papierem ściernym na element, który ma być szlifowany. Narzędzie musi pracować, aby zapobiec powstawaniu rys na powierzchni. Przy szlifowaniu szorstkich powierzchni i usuwaniu pierwotnych warstw wykończenia powierzchni należy stosować papier ścierny o dużym uziarnieniu i niskie obroty. W celu osiągnięcia gładziej powierzchni należy użyć drobnego papieru ściernego i wyższych obrotów.

5.8 UŻYCIE SKROBAKA

1. Nasadzić na narzędzie wielofunkcyjne skrobak w sposób pokazany na rys. 2, rys. 1 i 2.
2. Ustawić regulator obrotów na 4 i przełączyć wyłącznik w pozycję WŁĄCZONE w sposób pokazany na rys. 5 i 6.

Jeżeli ma zostać użyty skrobak w celu usunięcia starych warstw wykończenia powierzchni lub kleju z obrabianego elementu, należy ustawić płasko dolną część skrobaka na powierzchni obrabianego elementu i następnie lekko unieść tył narzędzia, co spowoduje ustawienie narzędzia pod niewielkim kątem w stosunku do powierzchni obrabianego elementu. Skrobak należy wolno wprowadzać w materiał, który ma zostać usunięty. Nie należy naciskać na narzędzie, dlatego że niewielka prędkość obróbki gwarantuje lepsze efekty odcinania i zmniejsza ryzyko wystąpienia wrębów na obrabianym elemencie.

Jeżeli skrobak ma być użyty do cięcia wykładziny dywanowej należy pod wykładziną w miejscu cięcia umieścić podkładkę. Ustawić obroty na MAX, ustawić narzędzie tak, aby skrobak był ustawiony prostopadle do wykładziny dywanowej i wprowadzać skrobak w wykładzinę.

6. KONSERWACJA

ZALECENIA OGÓLNE

⚠ OSTRZEŻENIE: Do wykonywania napraw należy używać wyłącznie takich samych części zamiennych. Zastosowanie innych części zamiennych może być przyczyną wypadku lub uszkodzenia produktu.

Do czyszczenia elementów z tworzyw sztucznych nie używać rozpuszczalników. Tworzywa sztuczne są nieodporne na działanie różnych rozpuszczalników występujących w handlu i w wyniku ich zastosowania można spowodować uszkodzenie tych elementów. Do usuwania zabrudzeń, pyłu, oleju, wazeliny itp. należy używać czystą szmatkę.

⚠ OSTRZEŻENIE: Należy uważać, aby elementy z tworzyw sztucznych nie zostały zabrudzone płynem hamulcowym, benzyną, produktami ropopochodnymi, olejem penetrującym itp. Produkty te zawierają substancje chemiczne, które uszkadzają, osłabiają lub niszczą tworzywa sztuczne.

Nie użytkować narzędzi elektrycznych w sposób nieprawidłowy lub niewłaściwy. Użytkowanie narzędzi w sposób nieprawidłowy lub niewłaściwy może spowodować uszkodzenie narzędzia i elementu obrabianego.

⚠ OSTRZEŻENIE: Nie dokonywać żadnych zmian w budowie narzędzia lub przystosowywać go do pracy z innym osprzętem. Zmiany takie mogą spowodować zagrożenie wypadkowe. Efektem dokonania takich zmian jest utrata gwarancji

SMAROWANIE

Wszystkie łożyska tego narzędzia są w sposób wystarczający przesmarowane smarem o wysokiej jakości, zapewniającym smarowanie przez cały okres użytkowania narzędzia w warunkach normalnych. Z tego powodu nie jest wymagane ich dodatkowe smarowanie. .

7. DANE TECHNICZNE

NARZĘDZIE WIELOFUNKCYJNE :	
Napięcie	230 V/50 Hz
Pobór mocy	300 W
Obroty na biegu jałowym	15000 – 22000 obr./min
Klasa ochrony	II
Długość przewodu zasilającego	1,8 m
Poziom mocy akustycznej	100.2 dB(A)
Wibracje:	ah= 4,464 ms ⁻² , K = 1,5 ms ⁻²

8. LIKWIDACJA

ZALECENIA I INFORMACJE O POSTĘPOWANIU Z ZUŻYTYM OPAKOWANIEM.

Zużyty materiał z opakowania przekazuje się na gminne wysypisko odpadów.

LIKWIDACJA ZUŻYTYCH URZĄDZEŃ ELEKTRYCZNYCH I ELEKTRONICZNYCH



Ten symbol na produktach albo w dokumentach przewodnich oznacza, że zużyte wyroby elektryczne i elektroniczne nie mogą być dodawane do zwykłych odpadów komunalnych. W celu właściwej likwidacji, odzysku i recyklingu trzeba je przekazywać w ustalone zbiorcze miejsca. Alternatywnie w niektórych krajach Unii Europejskiej albo w innych krajach europejskich można zwrócić takie wyroby lokalnemu sprzedawcy przy zakupie nowego, ekwiwalentnego produktu. Właściwa likwidacja tego produktu pomoże zachować cenne źródła naturalne i pomaga w zapobieganiu negatywnym wpływom na środowisko naturalne i zdrowie ludzi, które mogłaby spowodować niewłaściwa likwidacja odpadów. Szczegółowych informacji udziela Urząd gminy albo najbliższe wysypisko odpadów. Przy niewłaściwej likwidacji tego rodzaju odpadu, zgodnie z przepisami krajowymi, może dojść do nałożenia mandatu karnego.

DOTYCZY PODMIOTÓW GOSPODARCZYCH W UNII EUROPEJSKIEJ

Jeżeli trzeba zlikwidować urządzenia elektryczne i elektroniczne, to niezbędne informacje należy uzyskać od swojego sprzedawcy albo dostawcy.

LIKWIDACJA W INNYCH KRAJACH POZA UNIĄ EUROPEJSKĄ



Ten symbol obowiązuje w Unii Europejskiej. Jeżeli chcemy ten wyrób zlikwidować, to niezbędne informacje o właściwym sposobie likwidacji otrzymujemy od urzędów lokalnych albo od swojego sprzedawcy.

Ten wyrób spełnia wszystkie podstawowe wymagania dyrektyw UE, które go dotyczą.

Zmiany w tekście, designie i specyfikacji technicznej mogą nastąpić bez wcześniejszego uprzedzenia i zastrzegamy sobie prawo do ich wprowadzania..